

# Parts List

Ref	Var	IPN	Description
		220-01722-02	PCB TMA H5/H7 Mn Brd UHF Bx4
C100		018-13150-00	Cap 0603 150p 50v NPO ±5%
C101		018-13150-00	Cap 0603 150p 50v NPO ±5%
C102		018-13150-00	Cap 0603 150p 50v NPO ±5%
C103		015-26100-08	Cap Cer 0805 100n 10% X7r 50v
C114	H5	018-12560-10	Cap 0603 56p 50v NPO ±1%
C114	H7		not fitted
C201		018-15470-00	Cap 0603 47n 16v X7r±10%
C202		015-07470-20	CAP Cer 1206 4u7 10% 25V X7R
C203		018-16100-00	Cap 0603 100n 16v x7r + - 10%
C204		018-16100-00	Cap 0603 100n 16v x7r + - 10%
C206		018-13680-00	Cap 0603 680p 50v X7r±10%
C207		015-07220-08	Cap Cer 1206 2u2 16v X7r
C208		018-13680-00	Cap 0603 680p 50v X7r±10%
C209		018-16100-00	Cap 0603 100n 16v x7r + - 10%
C210		018-12680-10	Cap 0603 68p 50v NPO ±1%
C211		018-16100-00	Cap 0603 100n 16v x7r + - 10%
C212		015-07470-20	CAP Cer 1206 4u7 10% 25V X7R
C213		018-16100-00	Cap 0603 100n 16v x7r + - 10%
C214		018-16100-00	Cap 0603 100n 16v x7r + - 10%
C215		018-16100-00	Cap 0603 100n 16v x7r + - 10%
C216		018-16100-00	Cap 0603 100n 16v x7r + - 10%
C217		018-16100-00	Cap 0603 100n 16v x7r + - 10%
C218		018-14100-00	Cap 0603 1n 50v X7r ±10%
C219		018-16100-00	Cap 0603 100n 16v x7r + - 10%
C220		018-16100-00	Cap 0603 100n 16v x7r + - 10%
C221		018-16100-00	Cap 0603 100n 16v x7r + - 10%
C222		018-13100-10	Cap 0603 100p 50v NPO±1%
C223		018-16100-00	Cap 0603 100n 16v x7r + - 10%
C224		015-27100-10	Cap Cer 0805 1m+80-20% Y5v 16v
C225		018-16100-00	Cap 0603 100n 16v x7r + - 10%
C226		018-16100-00	Cap 0603 100n 16v x7r + - 10%
C227		018-16100-00	Cap 0603 100n 16v x7r + - 10%
C228		015-26100-08	Cap Cer 0805 100n 10% X7r 50v
C231		015-27100-08	Cap Cer 0805 X7R 1uF 16V 10%
C305		018-16100-00	Cap 0603 100n 16v x7r + - 10%
C307		018-13150-00	Cap 0603 150p 50v NPO ±5%
C308		018-13470-00	Cap 0603 470p 50v X7r±10%
C309		018-12150-10	Cap 0603 15p 50v NPO ±1%
C310		018-14100-00	Cap 0603 1n 50v X7r ±10%
C311		018-13270-00	Cap 0603 270p 50v NPO±5%
C314	H5	018-12330-10	Cap 0603 33p 50v NPO ±1%
C314	H7	018-12270-10	Cap 0603 27p 50v NPO ±1%
C315		018-13150-00	Cap 0603 150p 50v NPO ±5%
C317		015-23150-05	Cap 0805 150p 1% 200v Grm40
C318		015-23150-01	Cap Cer 0805 150p 5% NPO 50v
C319		018-12100-10	Cap 0603 10p 50v NPO±0.1
C320A	H5	015-22390-05	Cap 0805 39p 1% 200v
C320A	H7	015-22330-05	Cap Cer 0805 33p+-0.1pf 200v
C320B	H5	015-22390-05	Cap 0805 39p 1% 200v
C320B	H7	015-22330-05	Cap Cer 0805 33p+-0.1pf 200v
C320B	H7		not fitted
C321A	H5	015-22390-05	Cap 0805 39p 1% 200v
C321A	H7	015-22330-05	Cap Cer 0805 33p+-0.1pf 200v
C321B	H5	015-22390-05	Cap 0805 39p 1% 200v
C321B	H7	015-22330-05	Cap Cer 0805 33p+-0.1pf 200v
C322		018-14100-00	Cap 0603 1n 50v X7r ±10%
C323		018-16100-00	Cap 0603 100n 16v x7r + - 10%
C324		018-13470-00	Cap 0603 470p 50v X7r±10%
C325		015-26100-08	Cap Cer 0805 100n 10% X7r 50v
C326		015-23150-05	Cap 0805 150p 1% 200v Grm40
C327		015-23150-05	Cap 0805 150p 1% 200v Grm40
C330		015-26100-08	Cap Cer 0805 100n 10% X7r 50v
C331		015-02470-07	Cap Cer 1111 47P 5% 500V C17CF
C333		015-23150-01	Cap Cer 0805 150p 5% NPO 50v
C334		015-02470-07	Cap Cer 1111 47P 5% 500V C17CF
C335		018-13150-00	Cap 0603 150p 50v NPO ±5%
C338		018-13150-00	Cap 0603 150p 50v NPO ±5%
C339		018-13150-00	Cap 0603 150p 50v NPO ±5%
C340		018-14100-00	Cap 0603 1n 50v X7r ±10%
C341		018-13220-00	Cap 0603 220p 50v NPO±5%
C342		018-13220-00	Cap 0603 220p 50v NPO±5%
C343		018-13220-00	Cap 0603 220p 50v NPO±5%
C344		018-13220-00	Cap 0603 220p 50v NPO±5%
C346		018-13150-00	Cap 0603 150p 50v NPO ±5%
C347		018-13150-00	Cap 0603 150p 50v NPO ±5%
C348		015-23150-05	Cap 0805 150p 1% 200v Grm40

Ref	Var	IPN	Description
C349		015-23150-05	Cap 0805 150p 1% 200v Grm40
C350		015-23150-05	Cap 0805 150p 1% 200v Grm40
C353	H5	015-22100-05	Cap Cer 0805 10p +0.1pf 200v
C353	H7	015-21820-05	Cap Cer 0805 8p2+-0.1pf 200v
C354	H5	015-22100-05	Cap Cer 0805 10p +0.1pf 200v
C354	H7	015-21820-05	Cap Cer 0805 8p2+-0.1pf 200v
C355	H5	015-22100-05	Cap Cer 0805 10p +0.1pf 200v
C355	H7	015-21820-05	Cap Cer 0805 8p2+-0.1pf 200v
C356		018-13150-00	Cap 0603 150p 50v NPO ±5%
C357		018-13150-00	Cap 0603 150p 50v NPO ±5%
C358		018-12100-10	Cap 0603 10p 50v NPO±0.1
C359		018-13150-00	Cap 0603 150p 50v NPO ±5%
C360		018-13150-00	Cap 0603 150p 50v NPO ±5%
C361	H5	015-22100-05	Cap Cer 0805 10p +0.1pf 200v
C361	H7	015-21820-05	Cap Cer 0805 8p2+-0.1pf 200v
C362	H5	015-22100-05	Cap Cer 0805 10p +0.1pf 200v
C362	H7	015-21820-05	Cap Cer 0805 8p2+-0.1pf 200v
C363	H5	015-22100-05	Cap Cer 0805 10p +0.1pf 200v
C363	H7	015-21820-05	Cap Cer 0805 8p2+-0.1pf 200v
C365		018-13150-00	Cap 0603 150p 50v NPO ±5%
C388		018-14470-00	Cap 0603 4n7 50v X7r±10%
C389		015-23150-05	Cap 0805 150p 1% 200v Grm40
C391		018-16100-00	Cap 0603 100n 16v x7r + - 10%
C392		018-16100-00	Cap 0603 100n 16v x7r + - 10%
C393		018-16100-00	Cap 0603 100n 16v x7r + - 10%
C394		018-15470-00	Cap 0603 47n 16v X7r±10%
C400	H5	018-11560-10	Cap 0603 5p6 50v NPO±0.1p
C400	H5		not fitted
C400	H7	018-11470-10	Cap 0603 4p7 50v NPO±0.1p
C401	H5		not fitted
C401	H7	018-11330-10	Cap 0603 3p3 50v NPO±0.1p
C402		018-11330-10	Cap 0603 3p3 50v NPO±0.1p
C403	H5	018-12390-10	Cap 0603 39p 50v NPO ±1%
C403	H7	018-12270-10	Cap 0603 27p 50v NPO ±1%
C404		018-15100-00	Cap 0603 10n 50v X7r ±10%
C405	H5	018-11560-10	Cap 0603 5p6 50v NPO±0.1p
C405	H7	018-11470-10	Cap 0603 4p7 50v NPO±0.1p
C406	H5	018-11330-10	Cap 0603 3p3 50v NPO±0.1p
C406	H7	018-11120-10	Cap 0603 1p2 50v NPO±0.1p
C408		018-12100-10	Cap 0603 10p 50v NPO±0.1
C409		018-15100-00	Cap 0603 10n 50v X7r ±10%
C410		018-16100-00	Cap 0603 100n 16v x7r + - 10%
C411		018-15100-00	Cap 0603 10n 50v X7r ±10%
C412		018-16100-00	Cap 0603 100n 16v x7r + - 10%
C413		018-14100-00	Cap 0603 1n 50v X7r ±10%
C414		018-12270-10	Cap 0603 27p 50v NPO ±1%
C415		018-15150-00	Cap 0603 15n 50v X7r ±10%
C416		018-12390-10	Cap 0603 39p 50v NPO ±1%
C417		018-16100-00	Cap 0603 100n 16v x7r + - 10%
C418		018-16100-00	Cap 0603 100n 16v x7r + - 10%
C419		018-16100-00	Cap 0603 100n 16v x7r + - 10%
C420	H5	018-11560-10	Cap 0603 5p6 50v NPO±0.1p
C420	H7	018-11390-10	Cap 0603 3p9 50v NPO±0.1p
C421		018-15100-00	Cap 0603 10n 50v X7r ±10%
C422	H5	018-11470-10	Cap 0603 4p7 50v NPO±0.1p
C422	H7	018-11330-10	Cap 0603 3p3 50v NPO±0.1p
C423		018-15100-00	Cap 0603 10n 50v X7r ±10%
C424		018-11330-10	Cap 0603 3p3 50v NPO±0.1p
C425		018-12330-10	Cap 0603 33p 50v NPO ±1%
C426		018-16100-00	Cap 0603 100n 16v x7r + - 10%
C427		018-13100-10	Cap 0603 100p 50v NPO±1%
C428		018-13100-10	Cap 0603 100p 50v NPO±1%
C429	H5	018-12390-10	Cap 0603 39p 50v NPO ±1%
C429	H7	018-12270-10	Cap 0603 27p 50v NPO ±1%
C430		018-16100-00	Cap 0603 100n 16v x7r + - 10%
C431		018-16100-00	Cap 0603 100n 16v x7r + - 10%
C432	H5	018-11330-10	Cap 0603 3p3 50v NPO±0.1p
C432	H7	018-11120-10	Cap 0603 1p2 50v NPO±0.1p
C433	H5	018-11180-10	Cap 0603 1p8 50v NPO±0.1p
C433	H7	018-11220-10	Cap 0603 2p2 50v NPO±0.1p
C434		018-15100-00	Cap 0603 10n 50v X7r ±10%
C435	H5	018-12390-10	Cap 0603 39p 50v NPO ±1%
C435	H7	018-12270-10	Cap 0603 27p 50v NPO ±1%
C436		018-11470-10	Cap 0603 4p7 50v NPO±0.1p
C437	H5	018-11330-10	Cap 0603 3p3 50v NPO±0.1p
C437	H7	018-11120-10	Cap 0603 1p2 50v NPO±0.1p
C438		018-11330-10	Cap 0603 3p3 50v NPO±0.1p

Ref	Var	IPN	Description
C439	H5	018-11470-10	Cap 0603 4p7 50v NPO±0.1p
C439	H7	018-11330-10	Cap 0603 3p3 50v NPO±0.1p
C440		018-15100-00	Cap 0603 10n 50v X7r ±10%
C441	H5	018-11560-10	Cap 0603 5p6 50v NPO±0.1p
C441	H7	018-11390-10	Cap 0603 3p9 50v NPO±0.1p
C442		018-12100-10	Cap 0603 10p 50v NPO±0.1
C443		018-12100-10	Cap 0603 10p 50v NPO±0.1
C444		018-15100-00	Cap 0603 10n 50v X7r ±10%
C445		018-15100-00	Cap 0603 10n 50v X7r ±10%
C446		018-15100-00	Cap 0603 10n 50v X7r ±10%
C448		018-13100-10	Cap 0603 100p 50v NPO±1%
C449		018-15100-00	Cap 0603 10n 50v X7r ±10%
C450		018-13100-10	Cap 0603 100p 50v NPO±1%
C451		018-11820-10	Cap 0603 8p2 50v NPO±0.1p
C452		018-16100-00	Cap 0603 100n 16v x7r + - 10%
C454		018-16100-00	Cap 0603 100n 16v x7r + - 10%
C455		018-15100-00	Cap 0603 10n 50v X7r ±10%
C456		018-12220-10	Cap 0603 22p 50v NPO ±1%
C457		018-16100-00	Cap 0603 100n 16v x7r + - 10%
C458		018-16100-00	Cap 0603 100n 16v x7r + - 10%
C459		018-16100-00	Cap 0603 100n 16v x7r + - 10%
C460		018-16100-00	Cap 0603 100n 16v x7r + - 10%
C461		018-15100-00	Cap 0603 10n 50v X7r ±10%
C462		018-11100-10	Cap 0603 1p0 50v NPO±0.1p
C463		018-16100-00	Cap 0603 100n 16v x7r + - 10%
C464		018-13150-00	Cap 0603 150p 50v NPO ±5%
C465		018-13150-00	Cap 0603 150p 50v NPO ±5%
C466		018-13270-00	Cap 0603 270p 50v NPO±5%
C467		018-11100-10	Cap 0603 1p0 50v NPO±0.1p
C468		018-12220-10	Cap 0603 22p 50v NPO ±1%
C469		018-11270-10	Cap 0603 2p7 50v NPO±0.1p
C470		018-16100-00	Cap 0603 100n 16v x7r + - 10%
C471		018-15100-00	Cap 0603 10n 50v X7r ±10%
C472		018-16100-00	Cap 0603 100n 16v x7r + - 10%
C473		018-16100-00	Cap 0603 100n 16v x7r + - 10%
C474		018-16100-00	Cap 0603 100n 16v x7r + - 10%
C500		018-15470-00	Cap 0603 47n 16v X7r±10%
C501		018-16100-00	Cap 0603 100n 16v x7r + - 10%
C502		018-16100-00	Cap 0603 100n 16v x7r + - 10%
C503		018-16100-00	Cap 0603 100n 16v x7r + - 10%
C504		014-07470-05	Cap Tant SMD 4u7 16v 10% A
C505		015-27100-10	Cap Cer 0805 1m+80-20% Y5v 16v
C506		018-16100-00	Cap 0603 100n 16v x7r + - 10%
C507		018-15100-00	Cap 0603 10n 50v X7r ±10%
C508		018-13150-00	Cap 0603 150p 50v NPO ±5%
C509		018-15100-00	Cap 0603 10n 50v X7r ±10%
C510		018-15100-00	Cap 0603 10n 50v X7r ±10%
C511		018-12390-10	Cap 0603 39p 50v NPO ±1%
C512		018-12120-10	

# Parts List

# PCB IPN 220-01722-02

Ref	Var	IPN	Description	Ref	Var	IPN	Description	Ref	Var	IPN	Description	Ref	Var	IPN	Description
C543		018-16100-00	Cap 0603 100n 16v x7r + - 10%	C701		018-13100-10	Cap 0603 100p 50v NPO±1%	C3540	H5	018-11680-10	Cap 0603 6p8 50v NPO±0.1p	DIG_TCAN		319-01258-00	Shld Can Dgltl TMA
C544		014-07100-02	Cap Tant SMD 1u0 16v 20% A	C702		018-13100-10	Cap 0603 100p 50v NPO±1%	C3540	H7	018-11600-10	Cap 0603 6p0 50v NPO±0.1p	DIRC_TOP		319-01255-00	Shld Can Direc-Coup TMA
C545		018-11470-10	Cap 0603 4p7 50v NPO±0.1p	C703		018-13100-10	Cap 0603 100p 50v NPO±1%	C3541	H5	018-11820-10	Cap 0603 8p2 50v NPO±0.1p	FCL_TOP		319-01257-00	Shld Can Frt End TMA
C546		018-16100-00	Cap 0603 100n 16v x7r + - 10%	C704		018-14100-00	Cap 0603 1n 50v X7r ±10%	C3541	H7	018-11680-10	Cap 0603 6p8 50v NPO±0.1p	FE_TOP		319-01257-00	Shld Can Frt End TMA
C547		018-13150-00	Cap 0603 150p 50v NPO ±5%	C705		018-14100-00	Cap 0603 1n 50v X7r ±10%	C3545		015-01680-09	Cap Cer 1111 6P8 +- .1P 500VC17	H5_BAND	H5	036-12100-10	RES 0805 10R 1% 1/8W
C548	H5	013-16180-65	Cap SMD PPS 180n 50v 5% 4036	C706		018-15100-00	Cap 0603 10n 50v X7r ±10%	C3546		018-14101-00	Cap 0603 1n 50v NPO ±5%	H7_BAND	H7	036-12100-10	RES 0805 10R 1% 1/8W
C548	H7	013-16150-65	Cap Smd PPS 150n 50v 5% 4036	C707		018-16100-00	Cap 0603 100n 16v x7r + - 10%	C3547	H5	015-20050-02	Cap 0805 0p5 +/-0.1p NPO 50v	HS300		316-85137-01	Plate Copper Heat TMA
C549	H5	018-11270-10	Cap 0603 2p7 50v NPO±0.1p	C708		018-15100-00	Cap 0603 10n 50v X7r ±10%	C3547	H7	not fitted		HS301		316-85144-00	Plate Copper Heat TMAH
C549	H7	018-11330-10	Cap 0603 3p3 50v NPO±0.1p	C709		018-15100-00	Cap 0603 10n 50v X7r ±10%	C5004	H5	018-11180-10	Cap 0603 1p8 50v NPO±0.1p	IC201		002-20103-24	IC BA10324 4x Op Amp Ssop-14
C550		015-07470-20	CAP Cer 1206 4u7 10% 25V X7R	C710		018-13470-00	Cap 0603 470p 50v X7r±10%	C5004	H7	018-11100-10	Cap 0603 1p0 50v NPO±0.1p	IC202		002-10151-90	IC SMD TDA1519C 2x11w Aud Pwr
C551		018-13150-00	Cap 0603 150p 50v NPO ±5%	C711		018-13470-00	Cap 0603 470p 50v X7r±10%	C5005	H5	not fitted		IC203		002-16236-70	IC M62367GP 8bit 8ch D-A Ssop
C552		018-16100-00	Cap 0603 100n 16v x7r + - 10%	C712		018-13470-00	Cap 0603 470p 50v X7r±10%	C5005	H7	018-11180-10	Cap 0603 1p8 50v NPO±0.1p	IC204		002-10065-21	IC AD6521ACA Dual Codec
C553		018-11470-10	Cap 0603 4p7 50v NPO±0.1p	C713		018-13470-00	Cap 0603 470p 50v X7r±10%	C5006		018-14100-00	Cap 0603 1n 50v X7r ±10%	IC205		002-10045-50	IC SMD AK4550VT Codec Tssop-16
C554		018-11470-10	Cap 0603 4p7 50v NPO±0.1p	C714		018-16100-00	Cap 0603 100n 16v x7r + - 10%	C5100		018-13150-00	Cap 0603 150p 50v NPO ±5%	IC301		002-20103-24	IC BA10324 4x Op Amp Ssop-14
C555		018-14680-00	CAP 0603 6N8 50V X7R ±10%	C715		015-26800-08	Cap Cer 0805 100n 10% X7r 50v	C5102		018-13150-00	Cap 0603 150p 50v NPO ±5%	IC303		002-20103-24	IC BA10324 4x Op Amp Ssop-14
C556		018-13150-00	Cap 0603 150p 50v NPO ±5%	C717		018-16100-00	Cap 0603 100n 16v x7r + - 10%	CDC_BOT		319-01208-02	Shld Synth/lf T/Orc	IC400		002-10266-70	IC SMD RF2667 Quad Demod Q-Sop
C557	H5	018-11180-10	Cap 0603 1p8 50v NPO±0.1p	C718		018-16100-00	Cap 0603 100n 16v x7r + - 10%	CDC_TOP		319-01208-02	Shld Synth/lf T/Orc	IC403		002-10160-10	IC SMD LMX1601 Dual Pll Tssop
C557	H7	018-11100-10	Cap 0603 1p0 50v NPO±0.1p	C719		018-15100-00	Cap 0603 10n 50v X7r ±10%	D301		001-10099-01	Diode BAV99w Dual Ss	IC500		002-74910-41	IC SMD 74V1G04 Inverter SC70
C558		018-13150-00	Cap 0603 150p 50v NPO ±5%	C720		018-15100-00	Cap 0603 10n 50v X7r ±10%	D303		001-10841-10	Diode SMD BZX84C11v ZEN SOT23	IC501		002-74916-60	IC SMD 74HC1G66 Bilat Sw Sc70
C559		018-13150-00	Cap 0603 150p 50v NPO ±5%	C721		018-15100-00	Cap 0603 10n 50v X7r ±10%	D304		001-10070-07	Diode BAS70-07w Dualsch SOT343	IC502		002-10072-20	IC LMV722 2XOPAMP L/Noise Msop
C560	H5	018-11150-10	Cap 0603 1p5 50v NPO±0.1p	C722		018-16100-00	Cap 0603 100n 16v x7r + - 10%	D305		001-10070-07	Diode BAS70-07w Dualsch SOT343	IC503		002-14111-00	IC SMD ADF4111BRU PLL Tssop16
C560	H7	018-11120-10	Cap 0603 1p2 50v NPO±0.1p	C723		018-13470-00	Cap 0603 470p 50v X7r±10%	D310		001-10012-50	Diode SMD MA4P1250 Pin3x2mm	IC504		002-10040-66	IC SMD 4066 Quad Bilat Sw S014
C561		018-15100-00	Cap 0603 10n 50v X7r ±10%	C724		018-13470-00	Cap 0603 470p 50v X7r±10%	D311		001-10070-01	Diode BAV70W Dual Ss SOT323	IC505		002-10227-21	IC SMD TLC2272CPW Q-amp
C562		018-13150-00	Cap 0603 150p 50v NPO ±5%	C725		018-13470-00	Cap 0603 470p 50v X7r±10%	D400		001-10099-01	Diode BAV99w Dual Ss	IC600		002-13823-33	IC TPS3823-33 3V3 Reset/Wdt
C563		018-11680-10	Cap 0603 6p8 50v NPO±0.1p	C726		018-13470-00	Cap 0603 470p 50v X7r±10%	D401		001-10057-02	Diode SMD BBY57-02v Vcap Sc-79	IC601		002-10009-00	IC LF90CPT V/LO DROP OUT 9VREG
C564		018-11390-10	Cap 0603 3p9 50v NPO±0.1p	C727		018-13470-00	Cap 0603 470p 50v X7r±10%	D402		001-10057-02	Diode SMD BBY57-02v Vcap Sc-79	IC602		002-12674-33	IC SMD LM2674 3V3 .5a Smps S08
C565		013-16100-05	Cap SMD PPS 100n 16v 5% 1210	C728		018-13470-00	Cap 0603 470p 50v X7r±10%	D403		001-10057-02	Diode SMD BBY57-02v Vcap Sc-79	IC603		002-10792-30	IC TPS79230 3V0 LDD 100mA Reg
C566		018-13150-00	Cap 0603 150p 50v NPO ±5%	C729		018-13470-00	Cap 0603 470p 50v X7r±10%	D404		001-10057-02	Diode SMD BBY57-02v Vcap Sc-79	IC604		002-10792-25	IC TPS79225 2V5 LDD 100mA Reg
C567		018-12100-10	Cap 0603 10p 50v NPO±0.1	C730		018-13470-00	Cap 0603 470p 50v X7r±10%	D405		001-10015-00	Diode SMD BAT15-099R Sch	IC605		000-10511-00	Xstr SMD IPS511S MOSFET Switch
C568		018-13150-00	Cap 0603 150p 50v NPO ±5%	C731		018-13470-00	Cap 0603 470p 50v X7r±10%	D501		001-10015-30	Diode SMD Vcap BB153 SOD323	IC606		002-11126-00	IC Smd LK112M60TR 6V 150mA Reg
C569		018-13150-00	Cap 0603 150p 50v NPO ±5%	C732		018-13470-00	Cap 0603 470p 50v X7r±10%	D502		001-10005-35	Diode SMD BB535 Vcap SOD323	IC5100		002-10139-16	IC MBC13916 Cascade Buffer
C570		018-13150-00	Cap 0603 150p 50v NPO ±5%	C733		015-26800-08	Cap Cer 0805 100n 10% X7r 50v	D503		001-10099-01	Diode BAV99w Dual Ss	IF_TOP		319-01256-00	Shld Can If TMA
C571		018-14470-00	Cap 0603 4n7 50v X7r±10%	C3003		016-08100-03	Cap Elec SMD 10uF 35V 105/2000	D504		001-10005-35	Diode SMD BB535 Vcap SOD323	L100		057-10010-20	Ind 0603 Blm11-B102s 0.1a
C572	H5	018-11680-10	Cap 0603 6p8 50v NPO±0.1p	C3035		018-14101-00	Cap 0603 1n 50v NPO ±5%	D505		001-10005-35	Diode SMD BB535 Vcap SOD323	L101		057-10010-20	Ind 0603 Blm11-B102s 0.1a
C572	H7	018-11470-10	Cap 0603 4p7 50v NPO±0.1p	C3500		018-13150-00	Cap 0603 150p 50v NPO ±5%	D506		001-10005-35	Diode SMD BB535 Vcap SOD323	L102		057-10010-20	Ind 0603 Blm11-B102s 0.1a
C573		018-11560-10	Cap 0603 5p6 50v NPO±0.1p	C3503		018-13150-00	Cap 0603 150p 50v NPO ±5%	D507		001-10005-35	Diode SMD BB535 Vcap SOD323	L104		057-10081-06	Ind 1806 Blm41p750s Emi Supr
C574		018-15100-00	Cap 0603 10n 50v X7r ±10%	C3504		018-14100-00	Cap 0603 1n 50v X7r ±10%	D508		001-10005-35	Diode SMD BB535 Vcap SOD323	L200		057-10010-20	Ind 0603 Blm11-B102s 0.1a
C575	H5	018-11120-10	Cap 0603 1p2 50v NPO±0.1p	C3505		018-11560-10	Cap 0603 5p6 50v NPO±0.1p	D509		001-10005-35	Diode SMD BB535 Vcap SOD323	L302	H5	059-14680-00	Ind SMD 0603hs 6.8nh 5%
C575	H7	018-11150-10	Cap 0603 1p5 50v NPO±0.1p	C3509		018-11820-10	Cap 0603 8p2 50v NPO±0.1p	D510	H5	001-10005-35	Diode SMD BB535 Vcap SOD323	L302	H7	059-14560-00	Ind SMD 0603cs 5.6nh 5%
C576		018-13150-00	Cap 0603 150p 50v NPO ±5%	C3510		018-14100-00	Cap 0603 1n 50v X7r ±10%	D510	H7	not fitted		L303		052-57423-70	Coil A/W SMD 7u/2.3mm .57mm
C577		018-14470-10	Cap 0603 4n7 50v X7r±10%	C3512		018-16100-00	Cap 0603 100n 16v x7r + - 10%	D511	H5	001-10005-35	Diode SMD BB535 Vcap SOD323	L306		057-10081-06	Ind 1806 Blm41p750s Emi Supr
C578	H5	018-11050-10	Cap 0603 0p5 50v NPO ±0.1p	C3513		018-13150-00	Cap 0603 150p 50v NPO ±5%	D511	H7	not fitted		L310		065-10009-20	Bead Fer SMD Bds3/3/8-9-4s2
C578	H7	018-11100-10	Cap 0603 1p0 50v NPO±0.1p	C3514		018-14100-00	Cap 0603 1n 50v X7r ±10%	D600		001-10153-00	Diode SMD SM15T30a TranSII Smc	L311		152-80040-50	Coil A/W SMDp 5T/4.0mm 0.8mm
C579		014-07470-05	Cap Tant SMD 4u7 16v 10% A	C3515		018-16100-00	Cap 0603 100n 16v x7r + - 10%	D601		001-10070-01	Diode BAV70W Dual Ss SOT323	L315		152-57440-90	Coil A/W SMDp 9T/4.0mm .57mm
C580		018-16100-00	Cap 0603 100n 16v x7r + - 10%	C3516		018-16100-00	Cap 0603 100n 16v x7r + - 10%	D602		001-10054-02	Diode SMD BAT54AW SOT-323	L316		059-16120-00	Ind SMD 0603hs 120nh 5%
C581		018-13150-00	Cap 0603 150p 50v NPO ±5%	C3517		018-13150-00	Cap 0603 150p 50v NPO ±5%	D603		001-10070-01	Diode BAV70W Dual Ss SOT323	L317	H5	not fitted	
C582		018-13150-00	Cap 0603 150p 50v NPO ±5%	C3518		029-02390-02	Cap Mica 5mm Case 39p 5%	D604		001-10070-01	Diode BAV70W Dual Ss SOT323	L317	H7	152-12529-30	Coil A/W SMDp 3t/2.9mm 1.25mm
C583	H5	018-11680-10	Cap 0603 6p8 50v NPO±0.1p	C3519		029-02390-02	Cap Mica 5mm Case 39p 5%	D606		001-10014-03	Diode SMD MBRS140T3 Sch	L325		059-76560-85	Ind SMD 1008 560nh 5% Swi C
C583	H7	018-11600-10	Cap 0603 6p0 50v NPO±0.1p	C3520A	H5	not fitted		D700		001-10099-01	Diode BAV99w Dual Ss	L400		057-00015-00	Ind Fxd 15nh +-5% 1206 Mur
C584	H5	018-11180-10	Cap 0603 1p8 50v NPO±0.1p	C3520B	H7	015-02180-07	Cap Cer 1111 18p 5% 500V C17CF	D701		001-10099-01	Diode BAV99w Dual Ss	L401		057-10010-20	Ind 0603 Blm11-B102s 0.1a
C584	H7	018-11120-10	Cap 0603 1p2 50v NPO±0.1p	C3520B	H5	015-02270-07	Cap Cer 1111 27p 5% 500v C17CF	D702		001-10099-01	Diode BAV99w Dual Ss	L402		059-75180-55	Ind SMD 0805 18nh 5% Swi C
C585		014-07470-05	Cap Tant SMD 4u7 16v 10% A	C3521A	H5	not fitted		D703		001-10070-01	Diode BAV70W Dual Ss SOT323	L403		059-17180-10	Ind SMD 1008cs 1.8uh 5%
C586	H5	018-11680-10	Cap 0603 6p8 50v NPO±0.1p	C3521A	H7	015-02180-07	Cap Cer 1111 18p 5% 500V C17CF	D704		001-10084-33	Diode SMD BZX84C3V3 Zen SOT23	L404		057-10010-20	Ind 0603 Blm11-B102s 0.1a
C586	H7	018-11600-10	Cap 0603 6p0 50v NPO±0.1p	C3521B	H5	015-02270-07	Cap Cer 1111 27p 5% 500v C17CF	D705		001-10070-01	Diode BAV70W Dual Ss SOT323	L405		057-10010-20	Ind 0603 Blm11-B102s 0.1a
C600		015-07220-35	Cap Cer 1210 2u2 X5R 35v	C3521B	H7	not fitted		D706		001-10070-01	Diode BAV70W Dual Ss SOT323	L406		059-16120-10	Ind SMD 1008cs 120nh 5%
C601		018-16100-00	Cap 0603 100n 16v x7r + - 10%	C35220		015-21330-05	Cap Cer 0805 3p3+-0.1pf 200v	D707		001-10070-01	Diode BAV70W Dual Ss SOT323	L407		057-00015-00	Ind Fxd 15nh +-5% 1206 Mur
C602		018-16100-00	Cap 0603 100n 16v x7r + - 10%	C3522P	H5	not fitted		D708		001-10070-01	Diode BAV70W Dual Ss SOT323	L408		057-10010-20	Ind 0603 Blm11-B102s 0.1a
C603		018-16100-00</													

Parts List

PCB IPN 220-01722-02

Ref	Var	IPN	Description	Ref	Var	IPN	Description	Ref	Var	IPN	Description	Ref	Var	IPN	Description
L514		059-16330-05	Ind SMD 0805cs 330nh 5%	Q502		000-10084-71	Xstr BC847BW NPN SOT323	R233		038-15470-10	RES 0603 47k 1% 1/10W	R385		038-14470-10	Res 0603 4k7 1% 100ppm
L515		059-16330-05	Ind SMD 0805cs 330nh 5%	Q503		000-10001-71	Xstr RF BFS17W NPN SOT323UHF	R234		038-15470-10	RES 0603 47k 1% 1/10W	R386		038-14220-00	RES 0603 2k2 5% 1/10W
L516		059-16330-05	Ind SMD 0805cs 330nh 5%	Q504		000-10941-00	Xstr SMD PBR941 NPN SOT23	R235		038-15470-10	RES 0603 47k 1% 1/10W	R387		038-14680-10	RES 0603 6k8 1% 1/10W
L519		052-57421-40	Coil A/W SMD 4t/2.1mm .57mm	Q505		000-10084-71	Xstr BC847BW NPN SOT323	R236		038-14100-10	RES 0603 1k0 1% 1/10W	R388		038-15470-10	RES 0603 47k 1% 1/10W
L520		059-16330-05	Ind SMD 0805cs 330nh 5%	Q506		000-10085-70	Xstr BC856 PNP Dual SOT363	R238		038-14120-10	RES 0603 1k2 1% 1/10W	R389		036-03150-07	RES Pwr 2010 150R 5% 0.5W
L522		059-15150-00	Ind SMD 0603cs 15nh 5%	Q507		000-10084-72	Xstr BC847BS NPN Dual SOT363	R239		038-16100-10	RES 0603 100k 1% 1/10W	R390		036-03150-07	RES Pwr 2010 150R 5% 0.5W
L600		057-10600-05	Ind 0603 Blm11p600s .5a F/Bead	Q508		000-10084-72	Xstr BC847BS NPN Dual SOT363	R240		038-16120-10	RES 0603 120k 1% 1/10W	R391		038-15470-10	RES 0603 47k 1% 1/10W
L601		057-10100-65	Ind SMD Pwr Cdrh6D38 100UH .65	Q510		000-10941-00	Xstr SMD PBR941 NPN SOT23	R241		038-14470-10	Res 0603 4k7 1% 100ppm	R392		038-15330-10	RES 0603 33k 1% 1/10W
L602		057-10010-45	Ind SMD Pwr CDRH2D18 10UH .43A	Q511		000-10084-73	Xstr BC847BPNNPN/PNP SOT363	R242		038-14100-10	RES 0603 1k0 1% 1/10W	R393		038-15100-10	RES 0603 10k 1% 1/10W
L700		057-10010-20	Ind 0603 Blm11-B102s 0.1a	Q512		000-10084-71	Xstr BC847BW NPN SOT323	R243		038-15100-10	RES 0603 10k 1% 1/10W	R396		038-14700-00	RES 0603 470k 5% 1/10W
L701		057-10010-20	Ind 0603 Blm11-B102s 0.1a	Q600		000-10085-71	Xstr SMD BC857BW PNP SOT323	R245		038-15100-10	RES 0603 10k 1% 1/10W	R397		038-10000-00	RES 0603 OR
L702		057-10010-20	Ind 0603 Blm11-B102s 0.1a	Q601		000-10084-71	Xstr BC847BW NPN SOT323	R246		038-15100-10	RES 0603 10k 1% 1/10W	R398		038-15470-10	RES 0603 47k 1% 1/10W
L703		057-10010-20	Ind 0603 Blm11-B102s 0.1a	Q602		000-10084-71	Xstr BC847BW NPN SOT323	R247		038-15100-10	RES 0603 10k 1% 1/10W	R399		038-15470-10	RES 0603 47k 1% 1/10W
L704		057-10010-20	Ind 0603 Blm11-B102s 0.1a	Q603		000-10002-05	Xstr SMD BSH205 P Mos SOT23	R249		038-10000-00	RES 0603 OR	R400		038-15100-10	RES 0603 10k 1% 1/10W
L706		057-10010-20	Ind 0603 Blm11-B102s 0.1a	Q604		000-10084-71	Xstr BC847BW NPN SOT323	R250		038-16100-10	RES 0603 100k 1% 1/10W	R401		038-16100-10	RES 0603 100k 1% 1/10W
L707		057-10010-20	Ind 0603 Blm11-B102s 0.1a	Q605		000-10002-05	Xstr SMD BSH205 P Mos SOT23	R251		038-10000-00	RES 0603 OR	R403		038-14100-10	RES 0603 1k0 1% 1/10W
L708		057-10010-20	Ind 0603 Blm11-B102s 0.1a	Q700		000-10085-71	Xstr SMD BC857BW PNP SOT323	R252		038-12220-00	RES 0603 22R 5% 1/10W	R404		038-10000-00	RES 0603 OR
L709		057-10010-20	Ind 0603 Blm11-B102s 0.1a	Q701		000-10084-73	Xstr BC847BPNNPN/PNP SOT363	R253		038-12220-00	RES 0603 22R 5% 1/10W	R406		038-15470-10	RES 0603 47k 1% 1/10W
L711		057-10010-20	Ind 0603 Blm11-B102s 0.1a	Q702		000-10084-71	Xstr BC847BW NPN SOT323	R312		038-10000-00	RES 0603 OR	R407		038-16330-10	RES 0603 330k 1% 1/10W
L3509	H5	059-14220-00	Ind SMD 0603cs 2.2nh 5%	Q703		000-10084-73	Xstr BC847BPNNPN/PNP SOT363	R313		038-16100-10	RES 0603 100k 1% 1/10W	R408		038-15100-10	RES 0603 10k 1% 1/10W
L3509	H7	059-14180-00	Ind SMD 0603hs 1.8nh 5%	Q704		000-10084-73	Xstr BC847BPNNPN/PNP SOT363	R314		038-15560-10	RES 0603 56k 1% 1/10W	R409		038-14180-00	RES 0603 1k8 5% 1/10W
L3511		059-15150-00	Ind SMD 0603cs 15nh 5%	Q705		000-10084-73	Xstr BC847BPNNPN/PNP SOT363	R315		038-16100-10	RES 0603 100k 1% 1/10W	R410		038-12220-00	RES 0603 22R 5% 1/10W
L3512		059-15180-00	Ind SMD 0603hs 18nh 5%	Q706		000-10084-73	Xstr BC847BPNNPN/PNP SOT363	R318		038-16220-00	RES 0603 220k 5% 1/10W	R411		038-12820-00	RES 0603 82R 5% 1/10W
L3514		059-15220-00	Ind SMD 0603hs 22nh 5%	Q708		000-10085-71	Xstr SMD BC857BW PNP SOT323	R321		038-15330-10	RES 0603 33k 1% 1/10W	R412		038-14330-10	RES 0603 3k3 1% 1/10W
L3530	H5	not fitted		Q709		000-10085-71	Xstr SMD BC857BW PNP SOT323	R322		038-16220-00	RES 0603 220k 5% 1/10W	R413		038-14270-00	RES 0603 2k7 5% 1/10W
L3530	H7	152-12525-30	Coil A/W SMDp 3t/2.5mm 1.25mm	Q3501		000-10951-00	Xstr SMD PBR951 NPN SOT23	R323		038-16100-10	RES 0603 100k 1% 1/10W	R414	H5	038-12100-10	RES 0603 10R 1% 1/10W
L3531	H5	not fitted		Q3502		000-10951-00	Xstr SMD PBR951 NPN SOT23	R324		038-17100-10	RES 0603 1M 1% 1/10W	R414	H7	038-12220-00	RES 0603 22R 5% 1/10W
L3531	H7	152-12521-30	Coil A/W SMDp 3t/2.1mm 1.25mm	Q3504		000-10085-70	Xstr BC856 PNP Dual SOT363	R327		038-15100-10	RES 0603 10k 1% 1/10W	R415		038-13180-10	RES 0603 180R 1% 1/10W
L3533	H5	059-15300-00	Ind SMD 0603cs 30nH 5%	Q3505		000-10005-91	Xstr SMD BFQ591 NPN WB SOT89	R328		036-12180-00	RES 0805 18R 5% 1/8W	R416		038-15220-10	RES 0603 22k 1% 1/10W
L3533	H5	059-15270-00	Ind SMD 0603hs 27nh 5%	Q5001		002-10080-00	IC UPA800T 2x 2sc5008 Xstr	R331		038-16100-10	RES 0603 100k 1% 1/10W	R417		038-14470-10	Res 0603 4k7 1% 100ppm
L3534		059-15180-00	Ind SMD 0603hs 18nh 5%	Q5100		000-10001-71	Xstr RF BFS17W NPN SOT323UHF	R333		038-10000-00	RES 0603 OR	R418		038-14680-10	RES 0603 6k8 1% 1/10W
L3540	H5	152-12533-30	Coil A/W SMDp 3t/3.3mm 1.25mm	R100		038-14470-10	Res 0603 4k7 1% 100ppm	R334		038-14100-10	RES 0603 1k0 1% 1/10W	R419		038-12150-10	RES 0603 15R 1% 1/10W
L3540	H7	not fitted		R101		038-14470-10	Res 0603 4k7 1% 100ppm	R335		038-11470-00	RES 0603 4R7 5% 1/10W	R420		038-14100-10	RES 0603 1k0 1% 1/10W
L3541	H5	152-12527-30	Coil A/W SMDp 3t/2.7mm 1.25mm	R102		038-14220-00	RES 0603 2k2 5% 1/10W	R336		038-15100-10	RES 0603 10k 1% 1/10W	R421		038-15100-10	RES 0603 10k 1% 1/10W
L3541	H7	not fitted		R103		038-14220-00	RES 0603 2k2 5% 1/10W	R337		038-11470-00	RES 0603 4R7 5% 1/10W	R422		038-16100-10	RES 0603 100k 1% 1/10W
L3542	H5	152-12523-30	Coil A/W SMDp 3t/2.3mm 1.25mm	R104		038-14220-00	RES 0603 2k2 5% 1/10W	R338		036-12100-10	RES 0805 10R 1% 1/8W	R423		038-16100-10	RES 0603 100k 1% 1/10W
L3542	H7	not fitted		R105		038-16100-10	RES 0603 100k 1% 1/10W	R339		038-14470-10	Res 0603 4k7 1% 100ppm	R424		038-12470-00	RES 0603 47R 5% 1/10W
L5002		059-16270-00	Ind SMD 0603cs 270nh 5%	R106		038-14470-10	Res 0603 4k7 1% 100ppm	R340		038-14330-10	RES 0603 3k3 1% 1/10W	R425		038-14100-10	RES 0603 1k0 1% 1/10W
L5003		059-15390-00	Ind SMD 0603hs 39nh 5%	R107		038-14470-10	Res 0603 4k7 1% 100ppm	R341		038-14330-10	RES 0603 3k3 1% 1/10W	R426		038-14150-00	RES 0603 1k5 5% 1/10W
L5100	H5	059-15560-00	Ind SMD 0603hs 56nh 5%	R108		038-13680-00	RES 0603 680R 5% 1/10W	R342		038-17221-10	RES 0603 2M21 1% 1/10W	R427		038-14150-00	RES 0603 1k5 5% 1/10W
L5100	H7	059-15270-00	Ind SMD 0603hs 27nh 5%	R109		038-14470-10	Res 0603 4k7 1% 100ppm	R343		036-11470-00	RES 0805 4R7 5% 1/8W	R428		038-13390-10	RES 0603 390R 1% 1/10W
L5101	H5	059-16120-00	Ind SMD 0603hs 120nh 5%	R110		038-14470-10	Res 0603 4k7 1% 100ppm	R345		038-10000-00	RES 0603 OR	R429		038-14220-00	RES 0603 2k2 5% 1/10W
L5101	H7	059-76120-35	Ind SMD 0603 120nh 5% Swi C	R112		038-10000-00	RES 0603 OR	R346		038-14220-00	RES 0603 2k2 5% 1/10W	R430		038-15390-10	RES 0603 39k2 1% 1/10W
LK1		036-10000-00	RES 0805 OR 1/8W	R199		038-10000-00	RES 0603 OR	R347		038-16100-10	RES 0603 100k 1% 1/10W	R431		038-17100-10	RES 0603 1M 1% 1/10W
LK2		036-10000-00	RES 0805 OR 1/8W	R200		038-15470-10	RES 0603 47k 1% 1/10W	R348		036-02200-03	RES Pwr 1218 20R 5% 1W	R432		038-17100-10	RES 0603 1M 1% 1/10W
LK3		036-10000-00	RES 0805 OR 1/8W	R201		038-15470-10	RES 0603 47k 1% 1/10W	R350		038-14470-10	Res 0603 4k7 1% 100ppm	R433		038-14120-10	RES 0603 1k2 1% 1/10W
LK5		036-10000-00	RES 0805 OR 1/8W	R202		038-15470-10	RES 0603 47k 1% 1/10W	R351		036-02200-03	RES Pwr 1218 20R 5% 1W	R434		038-15270-00	RES 0603 27k 5% 1/10W
LK7		036-10000-00	RES 0805 OR 1/8W	R203		038-15470-10	RES 0603 47k 1% 1/10W	R353		038-16100-10	RES 0603 100k 1% 1/10W	R435		038-13470-00	RES 0603 470R 5% 1/10W
LO2_BOT		319-01210-00	Shld Low Pass Fltr T/Orca	R204		038-15470-10	RES 0603 47k 1% 1/10W	R354		038-12470-00	RES 0603 47R 5% 1/10W	R436		038-13560-10	RES 0603 560R 1% 1/10W
LPF_TOP		319-01251-00	Shld Can Lpf TMA	R205		038-14560-00	RES 0603 5k6 5% 1/10W	R355		036-03110-10	RES Pwr 2512 10R 5% 1W	R437		038-15100-10	RES 0603 10k 1% 1/10W
MCM1	TM8100	XMABP10	Rmb TMA 40x41 EP1C6x5402	R206		038-14330-10	RES 0603 3k3 1% 1/10W	R356		038-12470-00	RES 0603 47R 5% 1/10W	R500		038-16100-10	RES 0603 100k 1% 1/10W
MCM1	TM8200	XMABP20	Rmb TMA 40x41 EP1C12x5402	R207		038-14120-10	RES 0603 1k2 1% 1/10W	R357		038-15100-10	RES 0603 10k 1% 1/10W	R501		038-12220-00	RES 0603 22R 5% 1/10W
PAD_TOP		319-01254-00	Shld Can Pad TMA	R208		038-14120-10	RES 0603 1k2 1% 1/10W	R360		038-16820-00	RES 0603 820k 5% 1/10W	R502		038-16100-10	RES 0603 100k 1% 1/10W
PAF_TOP		319-01253-00	Shld Can Paf TMA	R209		038-14150-00	RES 0603 1k5 5% 1/10W	R361		038-16820-00	RES 0603 820k 5% 1/10W	R503		038-12220-00	RES 0603 22R 5% 1/10W
PIN_TOP		319-01252-00	Shld Can Pin Sw TMA	R210		038-15470-10	RES 0603 47k 1% 1/10W	R362		038-16820-00	RES 0603 820k 5% 1/10W	R504		038-16150-10	RES 0603 150k 1% 1/10W
PL100		240-00040-00	Conn 4way Power Male TMAH	R211		038-14100-10	RES 0603 1k0 1% 1/10W	R363		038-16820-00	RES 0603 820k 5% 1/10W	R505		038-13100-10	RES 0603 100R 1% 1/10W
Q200		000-10084-72	Xstr BC847BS NPN Dual SOT363	R212		038-14470-10	Res 0603 4k7 1% 100ppm	R364		038-15330-10	RES 0603 33k 1% 1/10W	R506		038-13820-00	RES 0603 820R 5% 1/10W
Q201		000-10085-71	Xstr SMD BC857BW PNP SOT323	R213		038-10000-00	RES 0603 OR	R365		038-15100-10	RES 0603 10k 1% 1/10W	R507		038-12470-00	RES 0603 47R 5% 1

Parts List

PCB IPN 220-01722-02

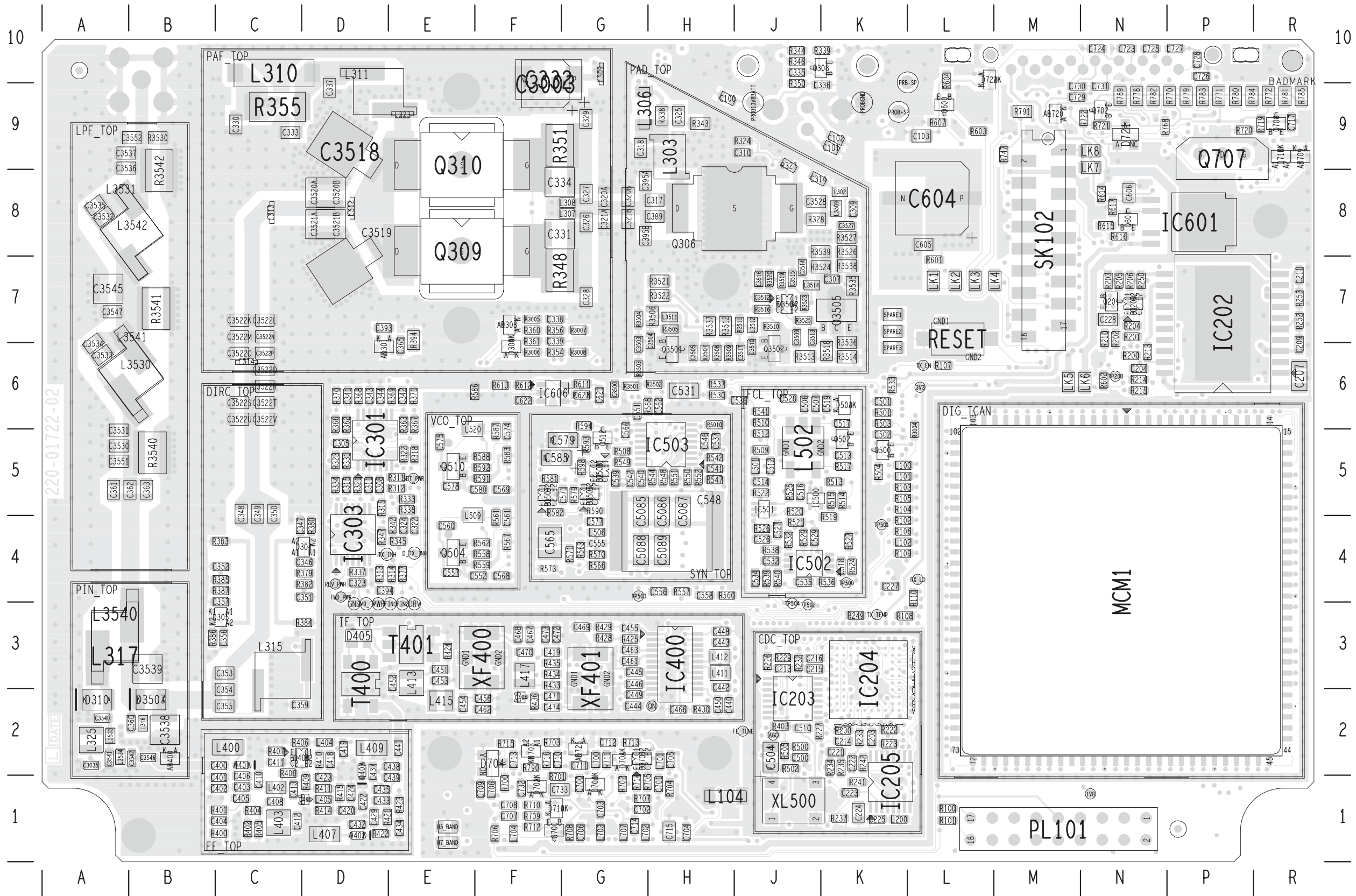
Ref	Var	IPN	Description	Ref	Var	IPN	Description	Ref	Var	IPN	Description	Ref	Var	IPN	Description
R528		038-13470-00	RES 0603 470R 5% 1/10W	R611		038-11470-00	RES 0603 4R7 5% 1/10W	R764		038-12560-00	RES 0603 56R 5% 1/10W	T400		050-10061-70	Bal Mxr SMD 617db-1018
R529		038-16100-10	RES 0603 100k 1% 1/10W	R612		038-10000-00	RES 0603 OR	R765		038-15470-10	RES 0603 47k 1% 1/10W	T401		050-10061-70	Bal Mxr SMD 617db-1018
R530		038-13100-10	RES 0603 100R 1% 1/10W	R614		038-10000-00	RES 0603 OR	R766		038-15470-10	RES 0603 47k 1% 1/10W	VCO_BOT		319-01206-01	Shld Bttm Side VCO T/Orc
R531		038-13820-00	RES 0603 820R 5% 1/10W	R615		038-15470-10	RES 0603 47k 1% 1/10W	R767		038-15470-10	RES 0603 47k 1% 1/10W	VCO_TOP		319-01205-00	Shld Top Side VCO T/Orc
R532		038-14100-10	RES 0603 1k0 1% 1/10W	R616		038-15470-10	RES 0603 47k 1% 1/10W	R768		038-10000-00	RES 0603 OR	VCXO_BOT		319-01257-00	Shld Can Frt End TMA
R533		038-12220-00	RES 0603 22R 5% 1/10W	R617		038-15470-10	RES 0603 47k 1% 1/10W	R769		036-15330-10	RES 0805 33k 1% 1/8W	XF400		276-10000-18	Filtr Xtal 45.1m 12k B/W -E12ab
R534		038-15100-10	RES 0603 10k 1% 1/10W	R619		038-15470-10	RES 0603 47k 1% 1/10W	R770		036-15330-10	RES 0805 33k 1% 1/8W	XF401		276-10000-13	Filtr Xtal 45.1m 15k B/W
R535		038-15100-10	RES 0603 10k 1% 1/10W	R620		038-16100-10	RES 0603 100k 1% 1/10W	R771		036-15330-10	RES 0805 33k 1% 1/8W	XL500		539-10011-00	Vctcxo 13.0MHz +-1.5ppm -30+80
R536		038-16100-10	RES 0603 100k 1% 1/10W	R624		038-15470-10	RES 0603 47k 1% 1/10W	R772		036-15330-10	RES 0805 33k 1% 1/8W	XL501		274-10022-00	Xtal 13.0133MHz Hc-49/Sm +30ppm
R537		038-16105-10	RES 0603 105k 1% 1/10W	R626		038-15470-10	RES 0603 47k 1% 1/10W	R773		038-15330-10	RES 0603 33k 1% 1/10W				
R538		038-16100-10	RES 0603 100k 1% 1/10W	R627		038-15470-10	RES 0603 47k 1% 1/10W	R774		038-15330-10	RES 0603 33k 1% 1/10W				
R539		038-15100-10	RES 0603 10k 1% 1/10W	R628		038-16100-10	RES 0603 100k 1% 1/10W	R776		038-15100-10	RES 0603 10k 1% 1/10W				
R540		038-12470-00	RES 0603 47R 5% 1/10W	R629		038-16100-10	RES 0603 100k 1% 1/10W	R777		038-13820-00	RES 0603 820R 5% 1/10W				
R541		038-13560-10	RES 0603 560R 1% 1/10W	R630		038-15470-10	RES 0603 47k 1% 1/10W	R788		038-13270-10	RES 0603 270R 1% 1/10W				
R542		038-10000-00	RES 0603 OR	R700		038-12470-00	RES 0603 47R 5% 1/10W	R789		038-14100-10	RES 0603 1k0 1% 1/10W				
R543		038-12470-00	RES 0603 47R 5% 1/10W	R701		038-14100-10	RES 0603 1k0 1% 1/10W	R790		038-13220-10	RES 0603 220R 1% 1/10W				
R544		038-12470-00	RES 0603 47R 5% 1/10W	R702		038-16100-10	RES 0603 100k 1% 1/10W	R792		038-13220-10	RES 0603 220R 1% 1/10W				
R545		038-15180-00	RES 0603 18k 5% 1/10W	R703		038-15100-10	RES 0603 10k 1% 1/10W	R3000		038-10000-00	RES 0603 OR				
R546		038-15180-00	RES 0603 18k 5% 1/10W	R704		038-16100-10	RES 0603 100k 1% 1/10W	R3070		038-10000-00	RES 0603 OR				
R547		038-13270-10	RES 0603 270R 1% 1/10W	R705		038-14470-10	Res 0603 4k7 1% 100ppm	R3501		038-12330-00	RES 0603 33R 5% 1/10W				
R548		038-12220-00	RES 0603 22R 5% 1/10W	R706		038-15470-10	RES 0603 47k 1% 1/10W	R3502		038-12390-10	RES 0603 39R2 1% 1/10W				
R549		038-12220-00	RES 0603 22R 5% 1/10W	R707		038-14470-10	Res 0603 4k7 1% 100ppm	R3503		038-10000-00	RES 0603 OR				
R550		038-15180-00	RES 0603 18k 5% 1/10W	R708		038-15220-10	RES 0603 22k 1% 1/10W	R3504		038-13680-00	RES 0603 680R 5% 1/10W				
R551		038-14270-00	RES 0603 2k7 5% 1/10W	R709		038-15470-10	RES 0603 47k 1% 1/10W	R3505		038-14270-00	RES 0603 2k7 5% 1/10W				
R552		038-15120-10	RES 0603 12k 1% 1/10W	R710		038-15470-10	RES 0603 47k 1% 1/10W	R3506		036-13330-10	RES 0805 330R 1% 1/8W				
R554	H5	038-14150-00	RES 0603 1k5 5% 1/10W	R711		038-15470-10	RES 0603 47k 1% 1/10W	R3507		038-12180-00	RES 0603 18R 5% 1/10W				
R554	H7	038-14180-00	RES 0603 1k8 5% 1/10W	R712		038-14470-10	Res 0603 4k7 1% 100ppm	R3508		038-12820-00	RES 0603 82R 5% 1/10W				
R555		038-16100-10	RES 0603 100k 1% 1/10W	R713		038-15330-10	RES 0603 33k 1% 1/10W	R3509		038-12180-00	RES 0603 18R 5% 1/10W				
R556	H5	038-14680-10	RES 0603 6k8 1% 1/10W	R714		038-12560-00	RES 0603 56R 5% 1/10W	R3510		038-14390-10	RES 0603 3k9 1% 1/10W				
R556	H7	038-14820-00	RES 0603 8k2 5% 1/10W	R715		038-13820-00	RES 0603 820R 5% 1/10W	R3511		038-13470-00	RES 0603 470R 5% 1/10W				
R557		038-14220-00	RES 0603 2k2 5% 1/10W	R716		038-15100-10	RES 0603 10k 1% 1/10W	R3512		036-12470-00	RES 0805 47R 5% 1/8W				
R558		038-14470-10	Res 0603 4k7 1% 100ppm	R717		038-15470-10	RES 0603 47k 1% 1/10W	R3513		036-11820-00	RES 0805 8R2 5% 1/8W				
R559		038-14220-00	RES 0603 2k2 5% 1/10W	R718		038-15100-10	RES 0603 10k 1% 1/10W	R3514		036-13150-10	RES 0805 150R 1% 1/8W				
R560		038-14220-00	RES 0603 2k2 5% 1/10W	R719		038-14560-00	RES 0603 5k6 5% 1/10W	R3518		036-11820-00	RES 0805 8R2 5% 1/8W				
R561		038-12220-00	RES 0603 22R 5% 1/10W	R720		038-15100-10	RES 0603 10k 1% 1/10W	R3519		038-14680-10	RES 0603 6k8 1% 1/10W				
R562		038-12470-00	RES 0603 47R 5% 1/10W	R721		038-15470-10	RES 0603 47k 1% 1/10W	R3520		038-13330-00	RES 0603 330R 5% 1/10W				
R563		038-12330-20	RES 0603 33R0 0.5% 1/10W	R722		038-13560-10	RES 0603 560R 1% 1/10W	R3521		036-11680-10	RES 0805 6R8 1% 1/8W				
R564		038-13330-00	RES 0603 330R 5% 1/10W	R723		038-15330-10	RES 0603 33k 1% 1/10W	R3522		036-11680-10	RES 0805 6R8 1% 1/8W				
R565		038-14180-00	RES 0603 1k8 5% 1/10W	R724		038-15330-10	RES 0603 33k 1% 1/10W	R3523		038-11470-00	RES 0603 4R7 5% 1/10W				
R566		038-15270-20	RES 0603 27k 0.5% 1/10W	R725		038-15330-10	RES 0603 33k 1% 1/10W	R3524		036-13680-10	RES 0805 680R 1% 1/8W				
R567		038-12220-00	RES 0603 22R 5% 1/10W	R726		038-15330-10	RES 0603 33k 1% 1/10W	R3525		038-13470-00	RES 0603 470R 5% 1/10W				
R568		038-14330-10	RES 0603 3k3 1% 1/10W	R727		038-15330-10	RES 0603 33k 1% 1/10W	R3526	H5	036-12330-00	RES 0805 33R 5% 1/8W				
R569		038-16100-10	RES 0603 100k 1% 1/10W	R728		038-15330-10	RES 0603 33k 1% 1/10W	R3526	H7	036-12270-00	RES 0805 27R 5% 1/8W				
R570		038-15270-20	RES 0603 27k 0.5% 1/10W	R729		038-15330-10	RES 0603 33k 1% 1/10W	R3527		036-13330-10	RES 0805 330R 1% 1/8W				
R571		038-13390-10	RES 0603 390R 1% 1/10W	R730		038-15330-10	RES 0603 33k 1% 1/10W	R3529		038-10000-00	RES 0603 OR				
R572		038-12220-00	RES 0603 22R 5% 1/10W	R731		038-14100-10	RES 0603 1k0 1% 1/10W	R3530		036-16100-10	RES 0805 100k 1% 1/8W				
R573		038-12330-20	RES 0603 33R0 0.5% 1/10W	R732		038-14100-10	RES 0603 1k0 1% 1/10W	R3535		036-17100-10	RES 0805 1M 1% 1/8W				
R574		038-13470-00	RES 0603 470R 5% 1/10W	R733		038-14100-10	RES 0603 1k0 1% 1/10W	R3536		036-17100-10	RES 0805 1M 1% 1/8W				
R575		038-12220-00	RES 0603 22R 5% 1/10W	R734		038-14100-10	RES 0603 1k0 1% 1/10W	R3537		036-12470-00	RES 0805 47R 5% 1/8W				
R576		038-12220-00	RES 0603 22R 5% 1/10W	R735		038-14100-10	RES 0603 1k0 1% 1/10W	R3538	H5	036-12330-00	RES 0805 33R 5% 1/8W				
R577		038-12220-00	RES 0603 22R 5% 1/10W	R736		038-14100-10	RES 0603 1k0 1% 1/10W	R3538	H7	036-12270-00	RES 0805 27R 5% 1/8W				
R578		038-13470-00	RES 0603 470R 5% 1/10W	R737		038-14100-10	RES 0603 1k0 1% 1/10W	R3539		036-13680-10	RES 0805 680R 1% 1/8W				
R579		038-14470-10	Res 0603 4k7 1% 100ppm	R738		038-14100-10	RES 0603 1k0 1% 1/10W	R5005		038-13180-10	RES 0603 180R 1% 1/10W				
R580		038-12220-00	RES 0603 22R 5% 1/10W	R739		038-14100-10	RES 0603 1k0 1% 1/10W	R5006	H5	038-14150-00	RES 0603 1k5 5% 1/10W				
R581		038-14560-00	RES 0603 5k6 5% 1/10W	R740		038-16100-10	RES 0603 100k 1% 1/10W	R5006	H7	038-14220-00	RES 0603 2k2 5% 1/10W				
R582		038-14560-00	RES 0603 5k6 5% 1/10W	R741		038-16100-10	RES 0603 100k 1% 1/10W	R5007	H5	038-14100-10	RES 0603 1k0 1% 1/10W				
R583		038-12220-00	RES 0603 22R 5% 1/10W	R742		038-16100-10	RES 0603 100k 1% 1/10W	R5007	H7	038-14120-10	RES 0603 1k2 1% 1/10W				
R584	H5	038-13330-00	RES 0603 330R 5% 1/10W	R743		038-14100-10	RES 0603 1k0 1% 1/10W	R5008	H5	038-14100-10	RES 0603 1k0 1% 1/10W				
R584	H7	038-13390-10	RES 0603 390R 1% 1/10W	R744		038-12470-00	RES 0603 47R 5% 1/10W	R5008	H7	038-14120-10	RES 0603 1k2 1% 1/10W				
R585		038-12220-00	RES 0603 22R 5% 1/10W	R745		038-16100-10	RES 0603 100k 1% 1/10W	R5010		038-15100-10	RES 0603 10k 1% 1/10W				
R587		038-12220-00	RES 0603 22R 5% 1/10W	R746		038-15100-10	RES 0603 10k 1% 1/10W	R5011		038-15220-10	RES 0603 22k 1% 1/10W				
R588		038-12470-00	RES 0603 47R 5% 1/10W	R747		038-10000-00	RES 0603 OR	R5012		038-14220-00	RES 0603 2k2 5% 1/10W				
R590		038-14470-10	Res 0603 4k7 1% 100ppm	R748		038-14470-10	Res 0603 4k7 1% 100ppm	R5014		038-15100-10	RES 0603 10k 1% 1/10W				
R591		038-14220-00	RES 0603 2k2 5% 1/10W	R749		038-14470-10	Res 0603 4k7 1% 100ppm	R5100		038-13390-10	RES 0603 390R 1% 1/10W				
R592		038-14470-10	Res 0603 4k7 1% 100ppm	R750		038-14470-10	Res 0603 4k7 1% 100ppm	R5101		038-14220-00	RES 0603 2k2 5% 1/10W				
R593		038-14560-00	RES 0603 5k6 5% 1/10W	R751		038-14470-10	Res 0603 4k7 1% 100ppm	R5102							

Grid Reference Index

PCB IPN 220-01722-02

Ref	PCB	Circuit	Ref	PCB	Circuit	Ref	PCB	Circuit	Ref	PCB	Circuit	Ref	PCB	Circuit	Ref	PCB	Circuit	Ref	PCB	Circuit	Ref	PCB	Circuit
1V8	1:N1	1-H7	C332	1:F10	3-F5	C359	1:C2	3-F10	C465	2:H3	4-C12	C556	1:H4	5-J9	C724	1:N10	7-D13	D716	2:P9	7-F12	IF_TOP	1:F3	4-A8
3V3	1:L6	1-B11	C333	1:C9	3-F5	C360	1:B2	3-E11	C466	1:H2	4-B12	C557	1:E4	5-E9	C725	1:N10	7-H13	D717	2:P9	7-E12	L100	1:K5	1-D8
9V0	2:K4	1-C11	C334	1:F8	3-D6	C361	1:A5	3-E12	C467	1:F3	4-G12	C558	1:H4	5-J9	C726	1:P10	7-G13	D718	2:N9	7-D11	L101	1:K5	1-D8
9V0_TX	1:D3	3-J1	C335	1:J10	3-G5	C362	1:B5	3-E12	C468	1:F3	4-G12	C559	2:F5	5-D9	C727	1:P10	7-F13	D719	1:F1	7-B2	L102	1:K4	1-D8
AGC	1:J2	1-H12	C336	1:K9	3-G5	C363	1:B5	3-E12	C469	1:G3	4-D12	C560	1:E4	5-E9	C728	1:P10	7-E13			7-B1	L104	1:H1	1-B1
C1	2:E3	1-E12	C337	1:D9	3-F5	C365	1:E6	3-H12	C470	1:F3	4-G13	C561	1:F4	5-E9	C729	1:M9	7-K13			7-K12	L200	1:K1	2-E12
C100	1:H9	1-J1	C338	1:F7	3-C6	C388	2:D4	3-J5	C471	1:F2	4-G13	C562	1:H6	5-J10	C730	1:M9	7-J13	D720	1:M9	7-K12	L302	1:K8	3-D2
C101	1:K9	1-J1	C339	1:F7	3-B6	C389	1:H8	3-E3	C472	1:F3	4-H14	C563	2:E4	5-E10	C731	1:N9	7-J13	D721	1:N9	7-H5	L303	1:H9	3-E3
C102	1:K9	1-J2	C340	2:G10	3-F3	C391	2:D4	3-G7	C473	1:F3	4-H14	C564	2:F5	5-D10	C732	1:F1	7-B3	D722	1:L10	7-J12	L306	1:G9	3-F3
C103	1:L9	1-J2	C341	1:D6	3-C7	C392	2:D4	3-B13	C474	1:F2	4-G14	C565	1:F4	5-F10	C733	1:F1	7-A7	D723	2:M9	7-J12	L307	1:G8	3-E5
C104	2:N2	1-G4	C342	1:E6	3-B7	C393	1:D7	3-H13	C476	2:C2	4-H2	C566	1:G5	5-J10	CDC_BOT	2:K2	2-A7	D724	2:M9	7-D11	L308	1:G8	3-E5
C105	2:N2	1-G4	C343	1:D6	3-C7	C394	1:D4	3-J1	C5004	2:G6	5-C13	C567	2:G5	5-B11	CDC_TOP	1:K2	2-A6	D725	2:N9	7-D12	L309	1:G10	3-F4
C106	2:P2	1-G4	C344	1:D6	3-B7	C395A	1:G8	3-E3	C5005	2:G6	5-C13	C568	1:F4	5-D11	D301	1:D6	3-H11	D726	1:G2	7-D3	L310	1:C10	3-F5
C107	2:M2	1-J5	C345	2:D4	3-H7	C395B	1:G8	3-E3	C5006	2:F5	5-C12	C569	1:F5	5-D11						7-C3	L311	1:D9	3-F5
C108	2:M2	1-H5	C346	1:D4	3-F9	C400	1:C2	4-G1	C500	1:J2	5-J1	C570	2:G5	5-B11	D303	2:H9	3-G4	DIG_BCAN	2:N4	1-A7	L312	1:D8	3-E6
C109	2:M2	1-H5	C347	1:C4	3-F9	C401	1:C1	4-G1	C501	1:K6	5-B1	C571	1:G5	5-F11	D304	1:D4	3-F9	DIG_TCAN	1:N4	1-A6	L313	1:C8	3-E7
C110	2:L2	1-H5	C348	1:C5	3-E9	C402	1:C1	4-G2	C502	1:K5	5-B1	C572	2:E5	5-E12	D305	1:C3	3-C11	DIRC_TOP	1:C4	3-C14	L314	1:C6	3-E9
C114	2:J9	1-J2	C349	1:C5	3-E9	C403	1:C1	4-G2	C503	2:J4	5-E1	C573	2:F6	5-D12				DRV	1:E3	3-H1	L315	1:C3	3-E10
C115	2:J9	1-J2	C3500	1:G6	3-D1	C404	1:C1	4-H2	C504	1:J2	5-J2	C574	1:F5	5-E12	D306	2:D4	3-B10	D_TX_INH	1:E4	3-B10	L316	1:B2	3-E10
C201	2:N6	2-F3	C3503	1:G6	3-C1	C405	1:C1	4-G2	C505	2:J5	5-E1	C575	1:E5	5-E12				FCL_TOP	1:J5	5-A9	L317	1:A3	3-D11
C202	2:K2	2-H3	C3504	1:H7	3-C2	C406	1:C1	4-F3	C506	1:J6	5-B2	C576	2:F6	5-D13	D308	1:F7	3-C6	FE_TOP	1:D1	4-A7	L323	1:E9	3-E5
C203	1:K2	2-G5	C3505	1:H6	3-C1	C408	1:C1	4-G4	C507	1:J6	5-B2	C577	1:G4	5-F13	D309	1:F6	3-B6	FE_TUNE	1:J2	1-H12	L325	1:A2	3-C12
C204	1:N6	2-D3	C3509	1:J7	3-B3	C409	2:G2	4-D4	C5085	1:G5	5-G8	C578	1:E5	5-E13	D310	1:A2	3-D12	FIN1	1:E3	3-C9	L3509	1:K8	3-D2
C205	2:M6	2-E4	C350	1:C5	3-E9	C410	1:C1	4-G4	C5086	1:H5	5-G8	C579	1:G5	5-G7	D311	2:E4	3-B10	FIN2	1:E3	3-B10	L3511	1:H7	3-C2
C206	2:K1	2-G4	C3510	1:J6	3-C3	C411	1:C2	4-G4	C5087	1:H5	5-F8	C580	1:F5	5-D13				FWD_PWR	1:D4	3-G9	L3512	1:J7	3-C2
C207	1:R6	2-D4	C3512	1:J7	3-B4	C412	1:C1	4-G4	C5088	1:G4	5-F8	C581	2:G5	5-B14	D3507	1:B2	3-E11	GND	1:D3	3-J1	L3514	1:J7	3-B4
C208	2:K2	2-H5	C3513	1:J7	3-A4	C413	1:C1	4-G4	C5089	1:H4	5-F8	C582	2:F5	5-C14	D400	1:B2	4-G1	HS_BAND	1:E1	1-C14	L3530	1:B6	3-E13
C209	1:R6	2-C5	C3514	1:J7	3-B4	C414	2:G3	4-D4	C508	2:J4	5-E2	C583	2:G5	5-B14	D401	1:C2	4-F2	H7_BAND	1:E1	1-B14	L3531	1:B8	3-E13
C210	2:K1	2-H5	C3515	1:J7	3-B5	C415	2:G3	4-C4	C509	2:J4	5-D2	C584	2:G6	5-B14	D402	1:D1	4-F6	HS300	2:E9	3-D14	L3533	1:A2	3-D12
C211	1:R7	2-C5	C3516	1:J7	3-C5	C416	2:G3	4-D5	C5100	2:G4	5-C7	C585	1:F5	5-G14	D403	1:D2	4-F7	HS301	2:D8	3-C13	L3534	1:A2	3-D13
C212	2:K1	2-E5	C3517	1:J6	3-B2	C417	2:G3	4-C5	C5102	2:G4	5-C8	C586	2:G5	5-B14	D404	2:H3	4-C5	IC200	2:N6	2-E3	L3540	1:A3	3-D12
C213	1:J3	2-F8	C3518	1:D9	3-E6	C418	1:D2	4-H5	C5103	2:F4	5-C9	C600	2:K9	6-E3	D405	1:D3	4-G9	IC201	2:K1	2-G3	L3541	1:B6	3-E13
C214	1:K2	2-F8	C3519	1:D7	3-D6	C419	1:D2	4-H5	C510	1:J2	5-J2	C601	2:N7	6-D3	D501	2:K4	5-D3			2-E4	L3542	1:B8	3-E13
C215	1:J3	2-F9	C351	1:D4	3-F9	C420	1:D1	4-G5	C511	2:J4	5-E2	C602	2:N6	6-B3	D502	2:K4	5-D3			2-H5	L400	1:C2	4-F2
C216	1:J3	2-F9	C3520A	1:D8	3-E7	C421	2:H3	4-C5	C512	1:J5	5-H2	C603	2:L7	6-E7	D503	1:K6	5-B4			2-A8	L401	2:F3	4-D4
C217	2:K2	2-G9	C3520B	1:D8	3-E7	C422	1:D1	4-G6	C513	1:K5	5-C3	C604	1:L8	6-E4	D504	2:F4	5-D10			2-F11	L402	1:C1	4-G4
C218	2:J2	2-C9	C3521A	1:D8	3-E6	C423	1:D1	4-H6	C514	1:J5	5-H3	C605	1:L8	6-E5	D505	2:F4	5-D10	IC202	1:P7	2-C4	L403	1:C1	4-G4
C219	2:K3	2-J10	C3521B	1:D8	3-E7	C424	1:D1	4-G6	C516	1:J5	5-J3	C606	1:N8	6-G5	D506	2:F4	5-D10	IC203	1:J2	2-D8	L404	1:D2	4-H5
C220	2:K2	2-J10	C3522V	1:C6	3-E8	C425	2:H3	4-C6	C517	1:K6	5-B3	C608	2:L8	6-E6	D507	2:F4	5-D10	IC204	1:K3	2-G10	L405	1:D1	4-H5
C221	1:K2	2-F8	C3522R	1:C6	3-E7	C426	2:F3	4-E6	C518	1:K4	5-G3	C609	2:J3	6-D6	D508	2:F5	5-D11	IC205	1:K1	2-D12	L406	2:G3	4-D5
C222	1:K2	2-C11	C3522P	1:C6	3-E8	C427	2:H3	4-D6	C519	1:K6	5-B3	C610	2:K3	6-C6	D509	2:F5	5-D11	IC301	1:D5	3-H2	L407	1:D1	4-F6
C223	1:K1	2-D12	C3522K	1:C7	3-E7	C428	2:H3	4-C6	C520	2:J5	5-E4	C611	2:N8	6-G7	D510	2:F5	5-D11			3-C7	L408	2:F3	4-E6
C224	1:K1	2-D12	C3522N	1:C7	3-E8	C429	1:D1	4-G6	C521	2:J5	5-D4	C612	2:L6	6-E7	D511	2:F5	5-D11			3-G1	L409	1:D2	4-F7
C225	1:K1	2-E13	C3522M	1:C7	3-E8	C430	2:F3	4-E6	C522	2:K4	5-D4	C613	2:L7	6-E7	D600	2:J8	6-G2			3-B7	L411	1:H3	4-C8
C226	2:K2	2-G7	C3522U	1:C6	3-E8	C431	2:F3	4-D6	C523	2:J4	5-C4	C614	2:J2	6-D7	D601	2:N7	6-E3			3-J3	L412	1:H3	4-C8
C227	1:K4	2-G7	C3522S	1:C6	3-E8	C432	1:D1	4-F7	C524	2:J5	5-E4	C615	2:K3	6-B7				IC303	1:D4	3-G8	L413	1:E3	4-G10
C228	1:N7	2-D5	C3522O	1:C6	3-E8	C433	1:D1	4-G7	C525	2:J5	5-E4	C616	2:J3	6-D8	D602	2:M7	6-D5			6-D3	L414	2:H3	4-D10
C230	2:N6	2-F3	C3522L	1:C7	3-E7	C434	1:E1	4-H7	C526	1:J4	5-H4	C617	2:K3	6-C8						6-D5	L415	1:E2	4-G11
C231	2:M6	2-E4	C3522T	1:C6	3-E8	C435	1:D1	4-G7	C527	1:J4	5-H4	C618	2:L6	6-E8	D603	2:N7	6-D3			6-E5	L417	1:F3	4-G13
C3000	2:D4	3-B11	C3522Q	1:C6	3-E7	C436	2:H3	4-D7	C528	1:J6	5-B4	C619	2:F3	6-C8	D604	2:N6	6-C3			3-H4	L419	1:F3	4-H14
C3003	1:F9	3-F4	C3527	1:K8	3-D2	C437	1:D2	4-F7	C529	1:J4	5-G4	C620	2:F3	6-C8	D606	2:L8	6-E6			3-B11	L5002	2:G5	5-C12
C3035	1:A2	3-C12	C3528	1:J8	3-D2	C438	1:E2	4-G8	C530	2:J5	5-F5	C621	1:G6	6-C4	D700	1:G1	7-J2	IC400	1:H3	4-C10	L5003	2:G6	5-C13
C305	1:D5	3-G1	C352	1:C4	3-C10	C439	1:E1	4-G8	C531	1:H6	5-B5	C622	1:F6	6-C5	D701	1:G2	7-J3	IC403	2:G3	4-C4	L500	2:J4	5-E2
C307	1:K7	3-B5	C3530	1:A5	3-E12	C440	1:H2	4-C8	C532	1:J4	5-H5	C623	1:G6	6-C5	D702	1:F1	7-D2	IC500	1:J5	5-J3	L501	1:J5	5-H2
C308	1:D5	3-H1	C3531	1:A5	3-E12	C441	1:E2	4-G8	C533	2:J4	5-E5	C700	1:G1	7-H3						5-J4	L502	1:J5	5-B2
C309	1:K8	3-D2	C3532	1:A8	3-F13	C442	1:H3	4-C8	C534	1:J4	5-H6	C701	1:H1	7-H3						7-E2	L503	2:J6	5-E3
C310	1:J9	3-F2	C3533	1:A6	3-E13	C443	1:H3	4-C8	C535	1:J4	5-A6	C702	1:G1	7-G3						7-E3	L504	2:J5	5-D4
C311	1:D5	3-J2	C3534	1:A6	3-F13	C444	1:G2	4-C9	C536	1:J6	5-J6	C703	1:G1	7-G3						5-F3	L505	2:J5	5-F4
C314	1:J8	3-D2	C3535	1:A8	3-E13	C445	1:G3	4-C9	C537	1:H5	5-H6	C704	1:H1	7-F3						5-H5	L506	1:G4	5-K7
C315	1:D5	3-K2	C3536	1:A9	3-E13	C446	1:G3	4-B9	C538	2:H5	5-E6	C705	1:H2	7-F3						7-J7	IC503	1:H5	5-H7
C317	1:H8	3-E3	C3537	1:A9	3-E14	C448	1:H3	4-D10	C539	1:G5	5-J6	C706	1:G1	7-E3						7-J7	IC504	2:H4	5-H9
C318	1:G9																						

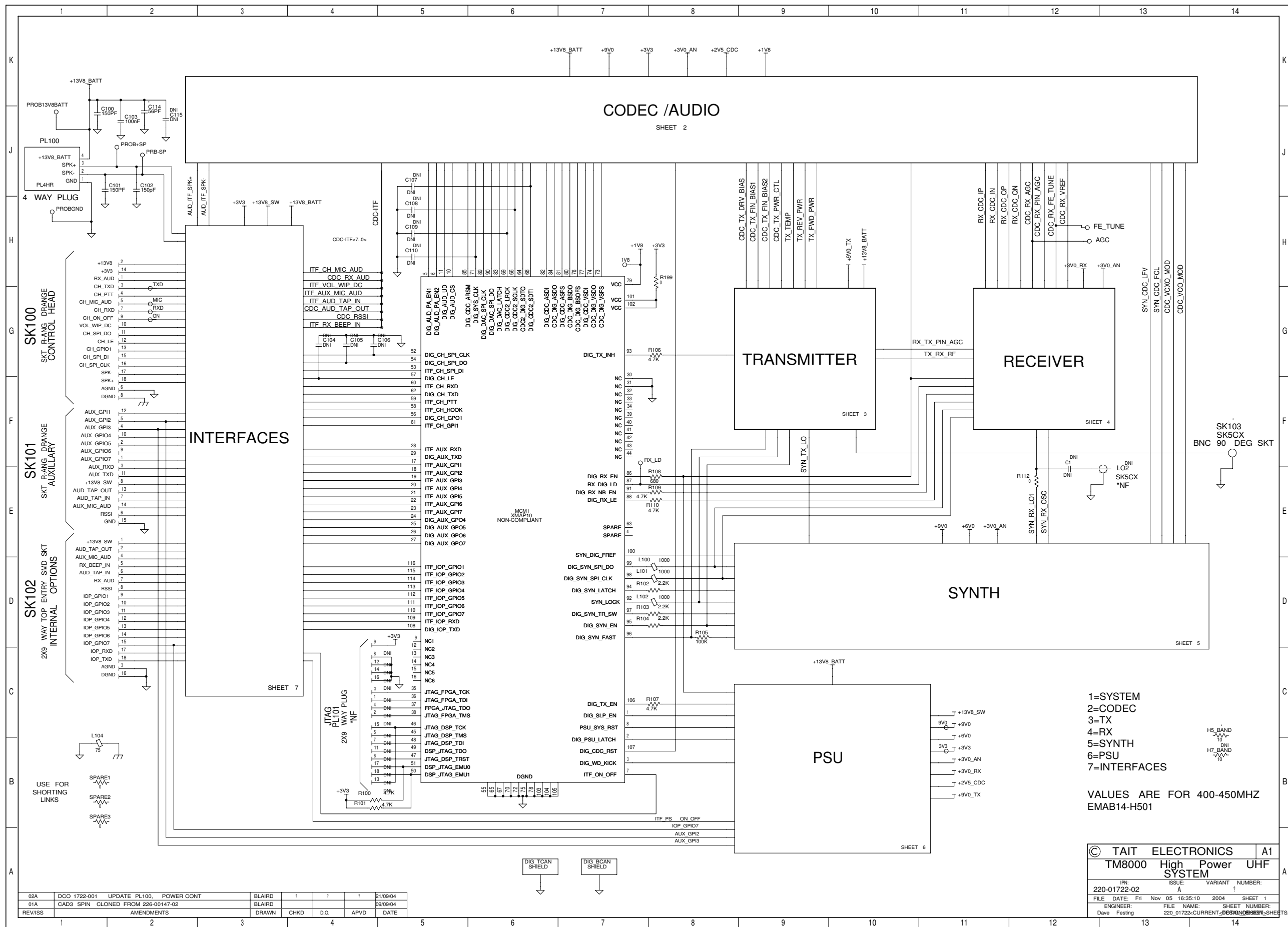


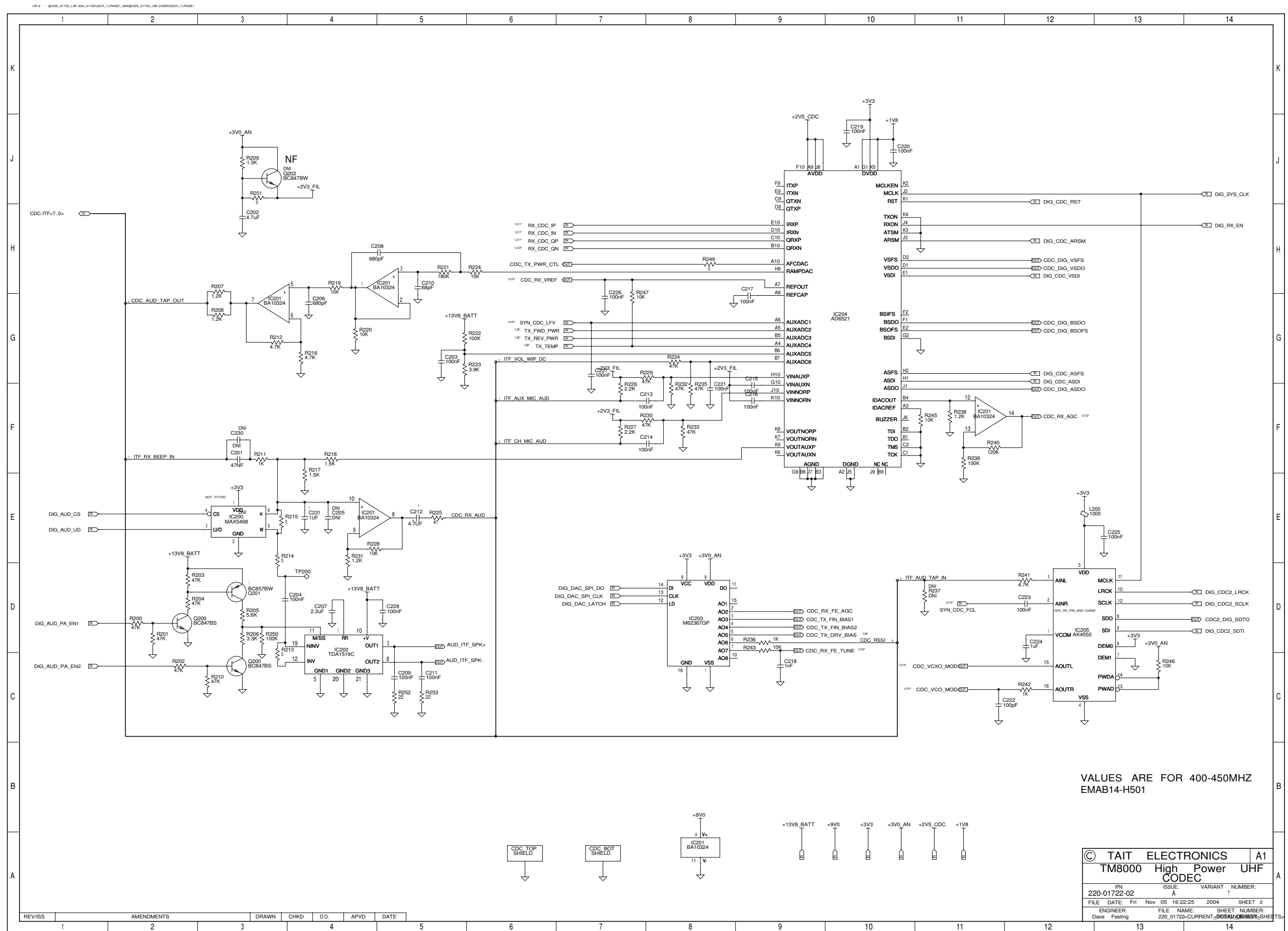


TAIT ELECTRONICS IPN: 220-01722-02 ISS: A DATE: 6Dec04 SCALE: NTS  
 TM8000 UHF HIGH power mobile TM8000 40W 400-520MHz LAYOUT-PRIMARY-SIDE

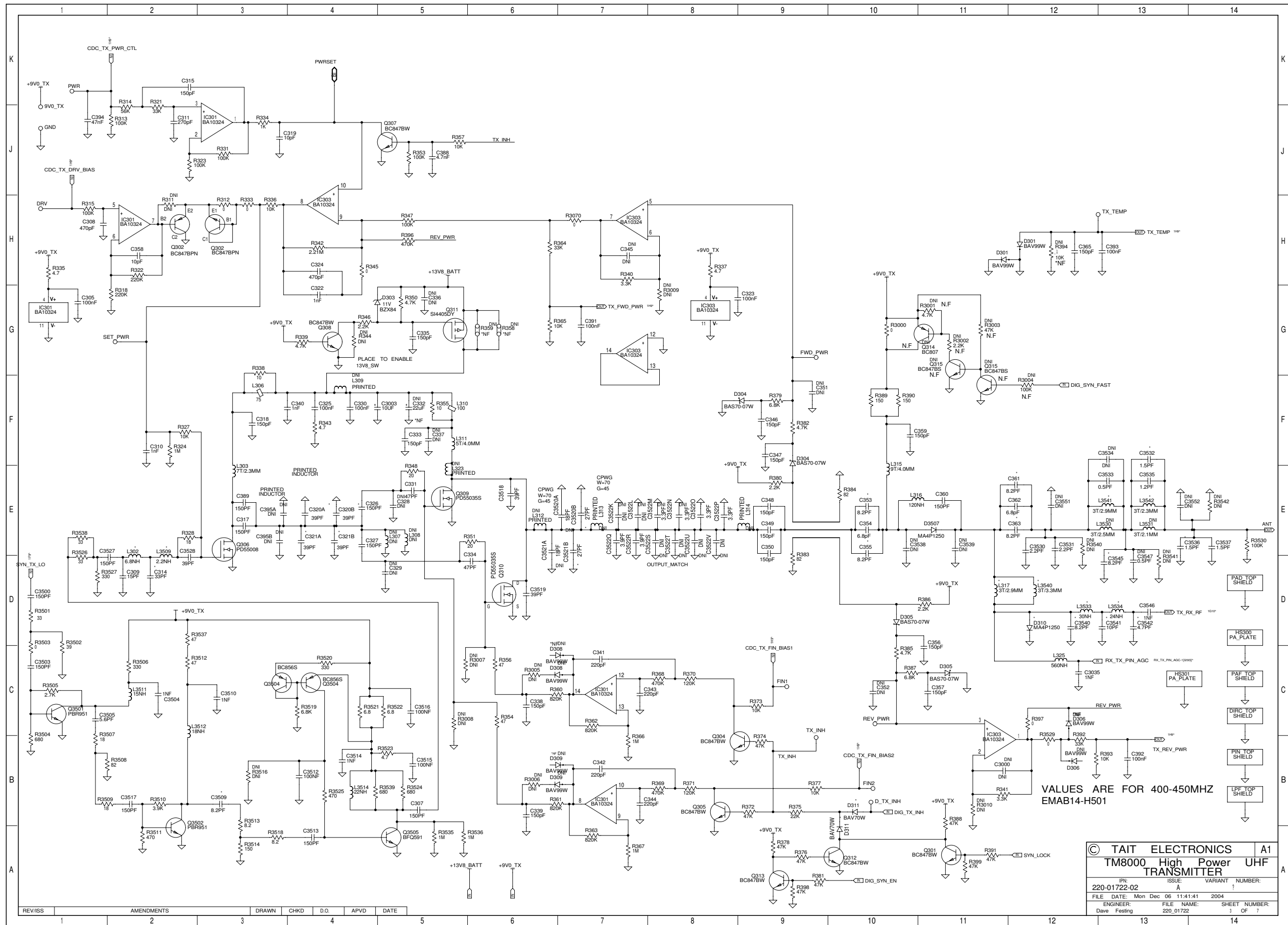


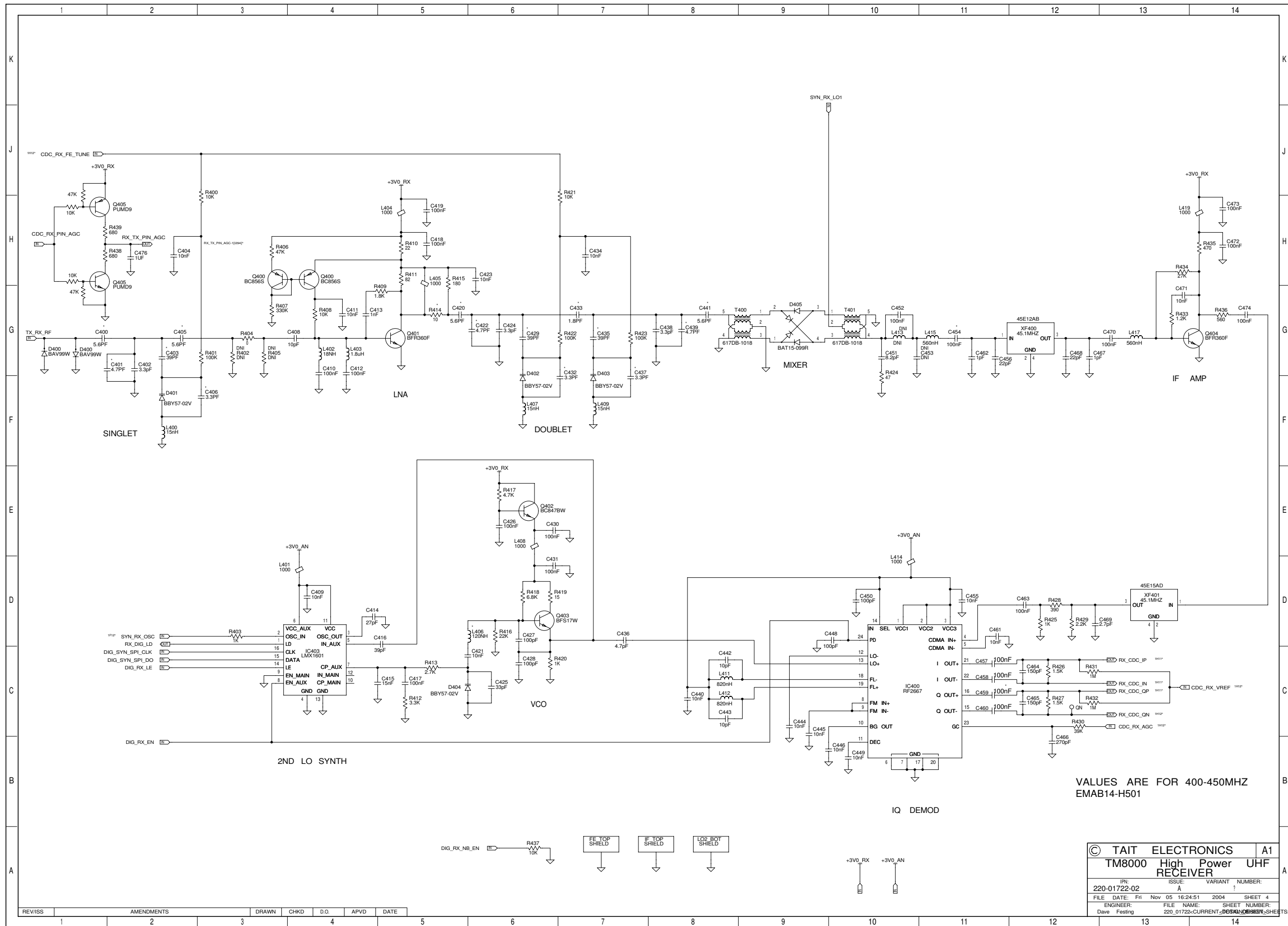


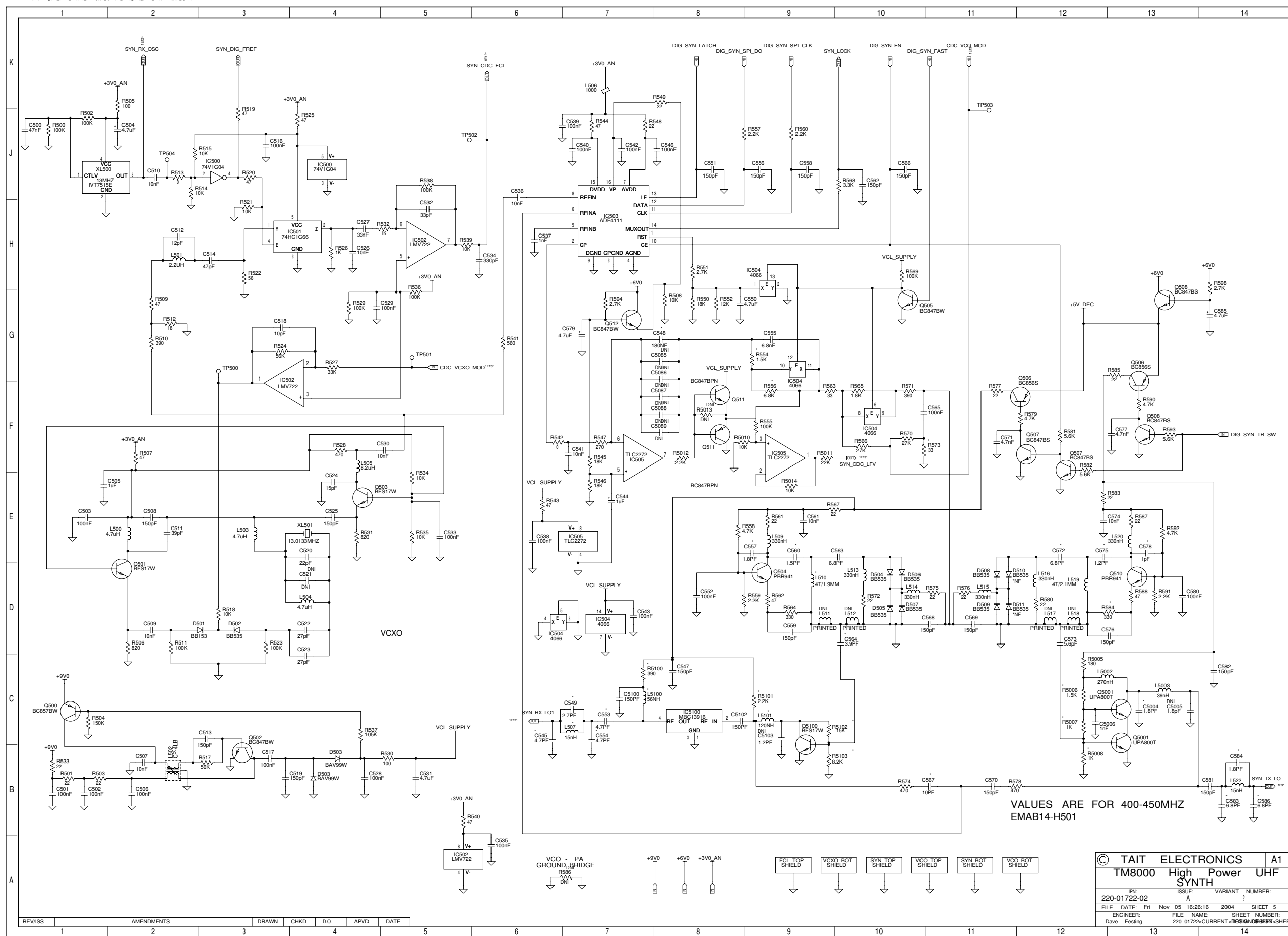




© TAIT ELECTRONICS		A1
TM8000 High Power UHF CODEC		
IPN: 220-01722-02	ISSUE: A	VARIANT NUMBER: 1
FILE DATE: Fri Nov 05 16:22:25 2004	FILE NAME: 220_01722-CURRENT_DESIGN_SHEETS	SHEET NUMBER: 2
ENGINEER: Dave Festing	FILE NAME: 220_01722-CURRENT_DESIGN_SHEETS	SHEET NUMBER: 2



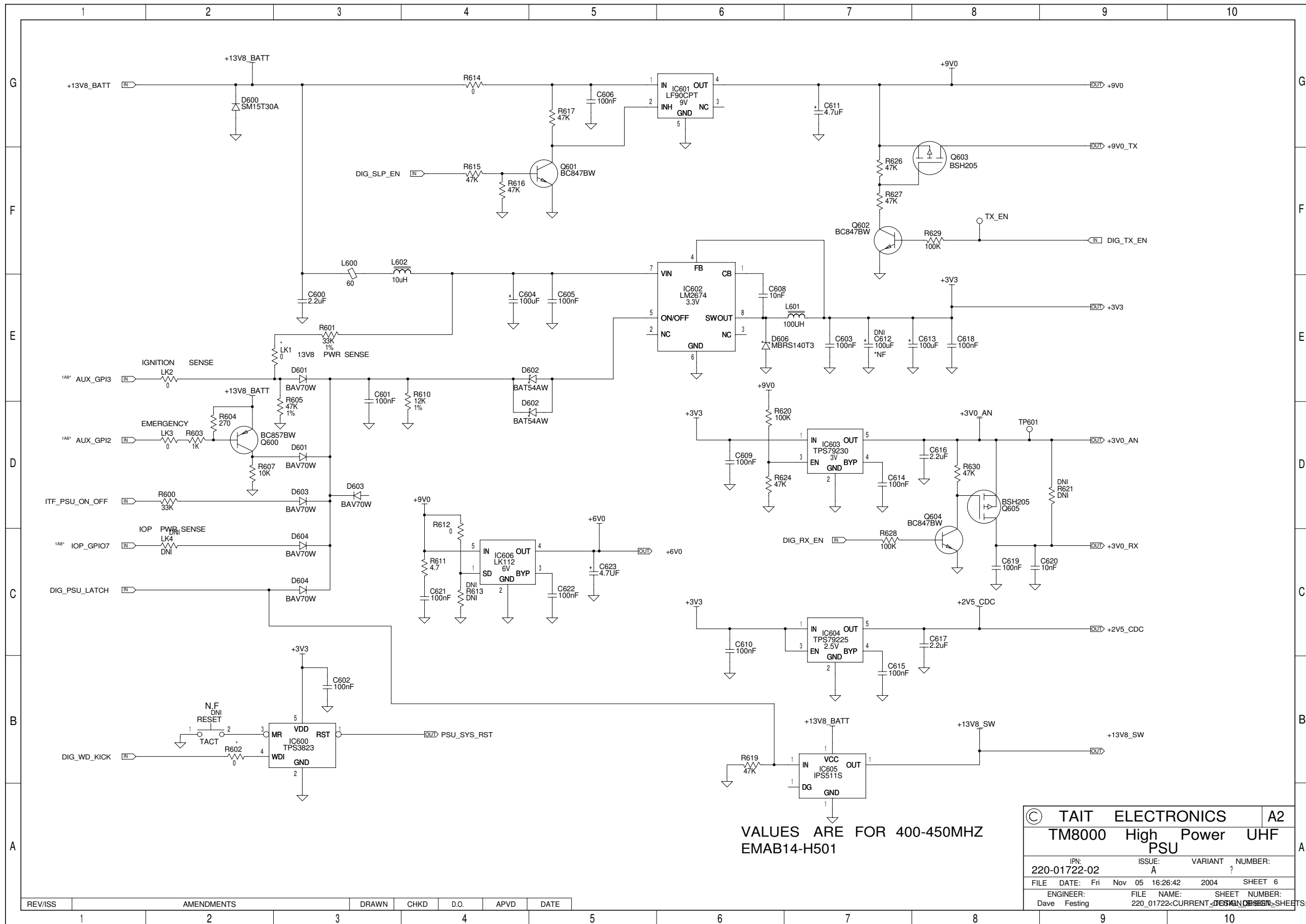




VALUES ARE FOR 400-450MHZ  
EMAB14-H501

© TAIT ELECTRONICS		A1
TM8000 High Power UHF SYNTH		
IPN: 220-01722-02	ISSUE: A	VARIANT NUMBER: 1
FILE DATE: Fri Nov 05 16:26:16 2004	FILE NAME: 220_01722-CURRENT-DESIGN-REVISION-SHEETS	SHEET 5
ENGINEER: Dave Festing	FILE NAME: 220_01722-CURRENT-DESIGN-REVISION-SHEETS	SHEET NUMBER: 5

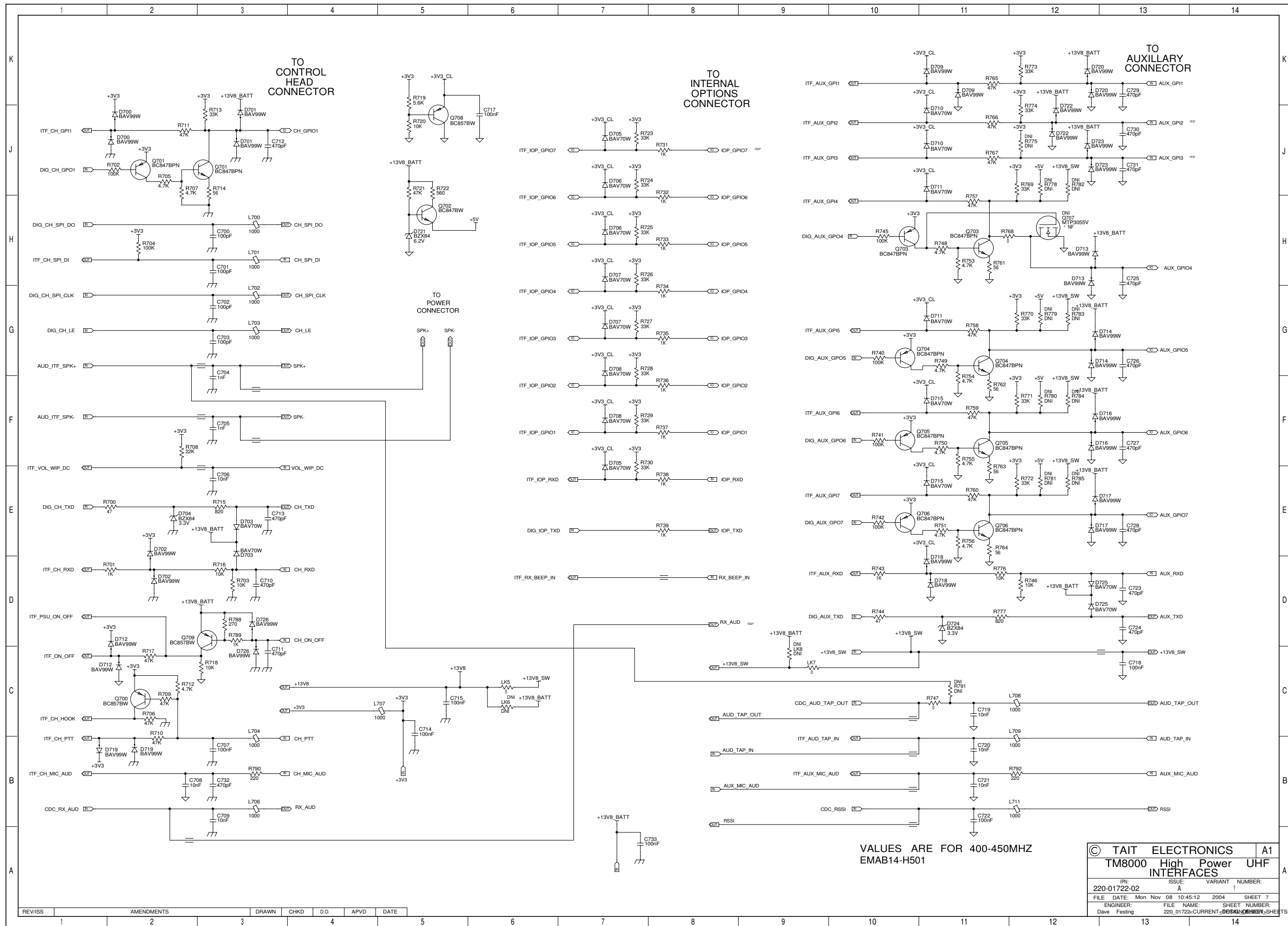
CR-6 : @220\_01722\_LIB\220\_01722(SCH\_1)\PAGE1\_AA17@220\_01722\_LIB.PSU(SCH\_1)\PAGE1

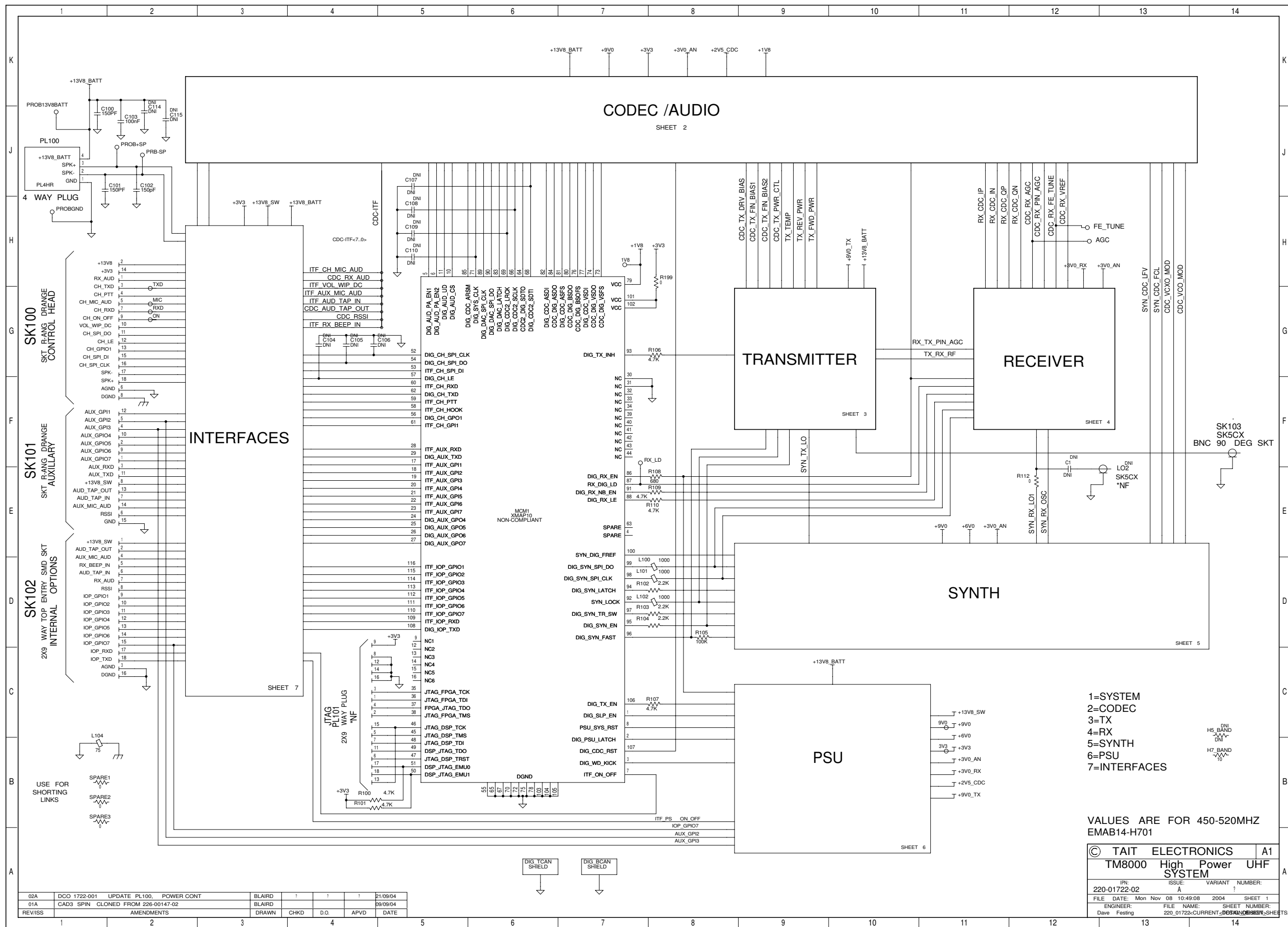


VALUES ARE FOR 400-450MHZ  
EMAB14-H501

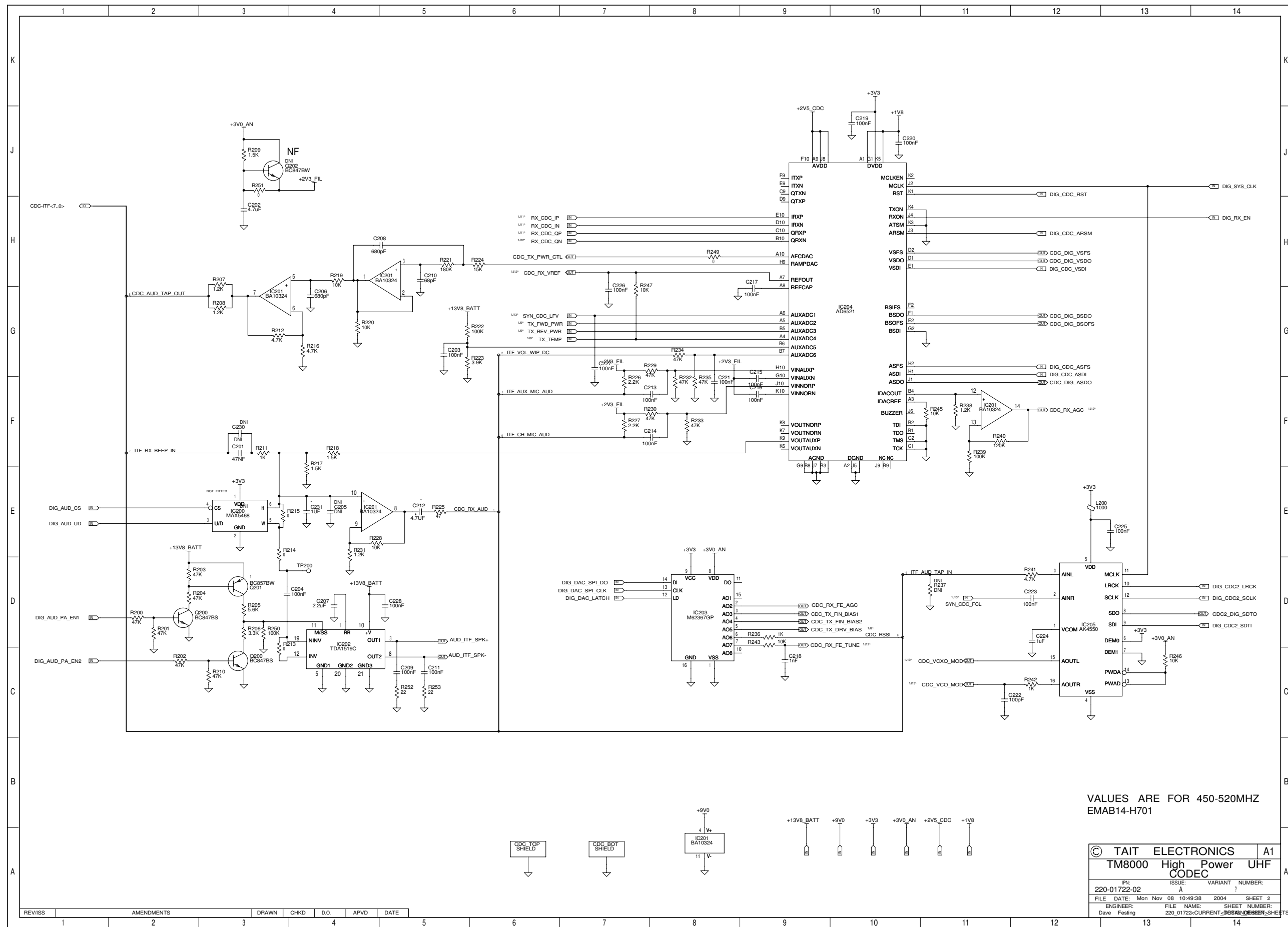
© TAIT ELECTRONICS		A2
TM8000 High Power UHF PSU		
IPN: 220-01722-02	ISSUE: A	VARIANT NUMBER: ?
FILE DATE: Fri Nov 05 16:26:42 2004	SHEET 6	
ENGINEER: Dave Festing	FILE NAME: 220_01722-CURRENT-DESIGN-ORIGIN	SHEET NUMBER: 6

REV/ISS	AMENDMENTS	DRAWN	CHKD	D.O.	APVD	DATE
1						





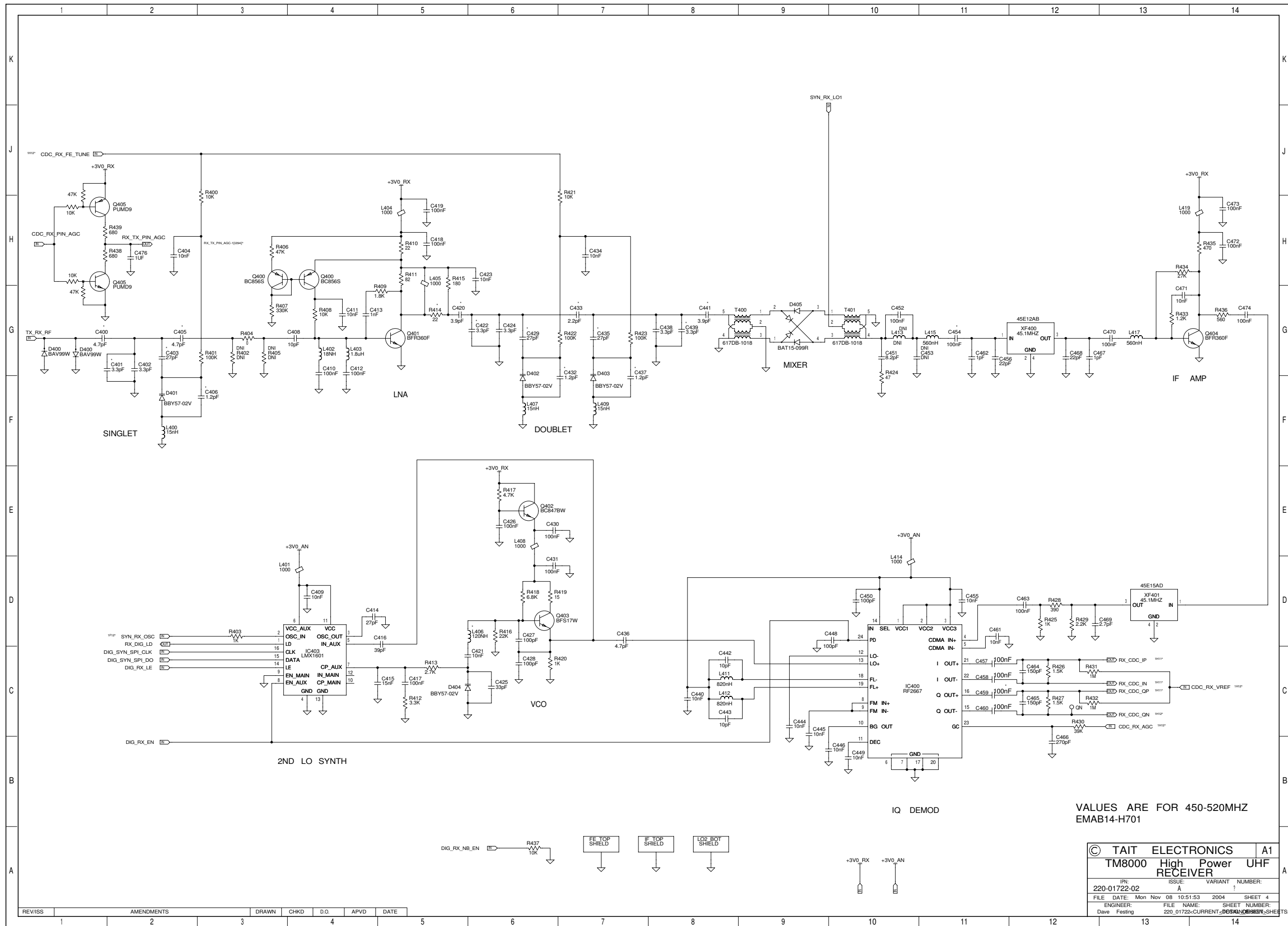




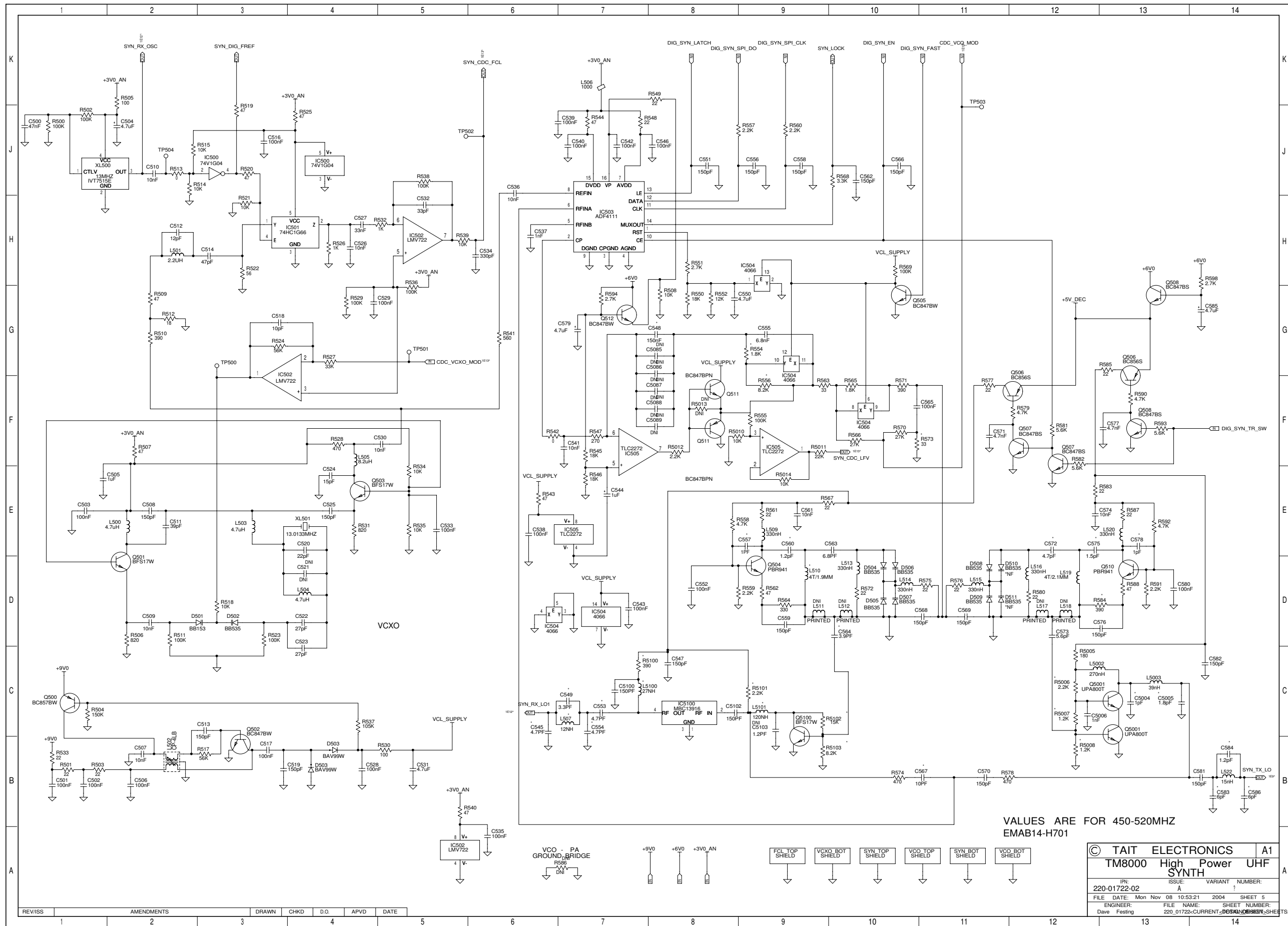
VALUES ARE FOR 450-520MHZ  
EMAB14-H701

© TAIT ELECTRONICS		A1
TM8000 High Power UHF CODEC		
IPN: 220-01722-02	ISSUE: A	VARIANT NUMBER: ?
FILE DATE: Mon Nov 08 10:49:38 2004	SHEET 2	
ENGINEER: Dave Festing	FILE NAME: 220_01722-CURRENT_SHEETS	SHEET NUMBER: 2

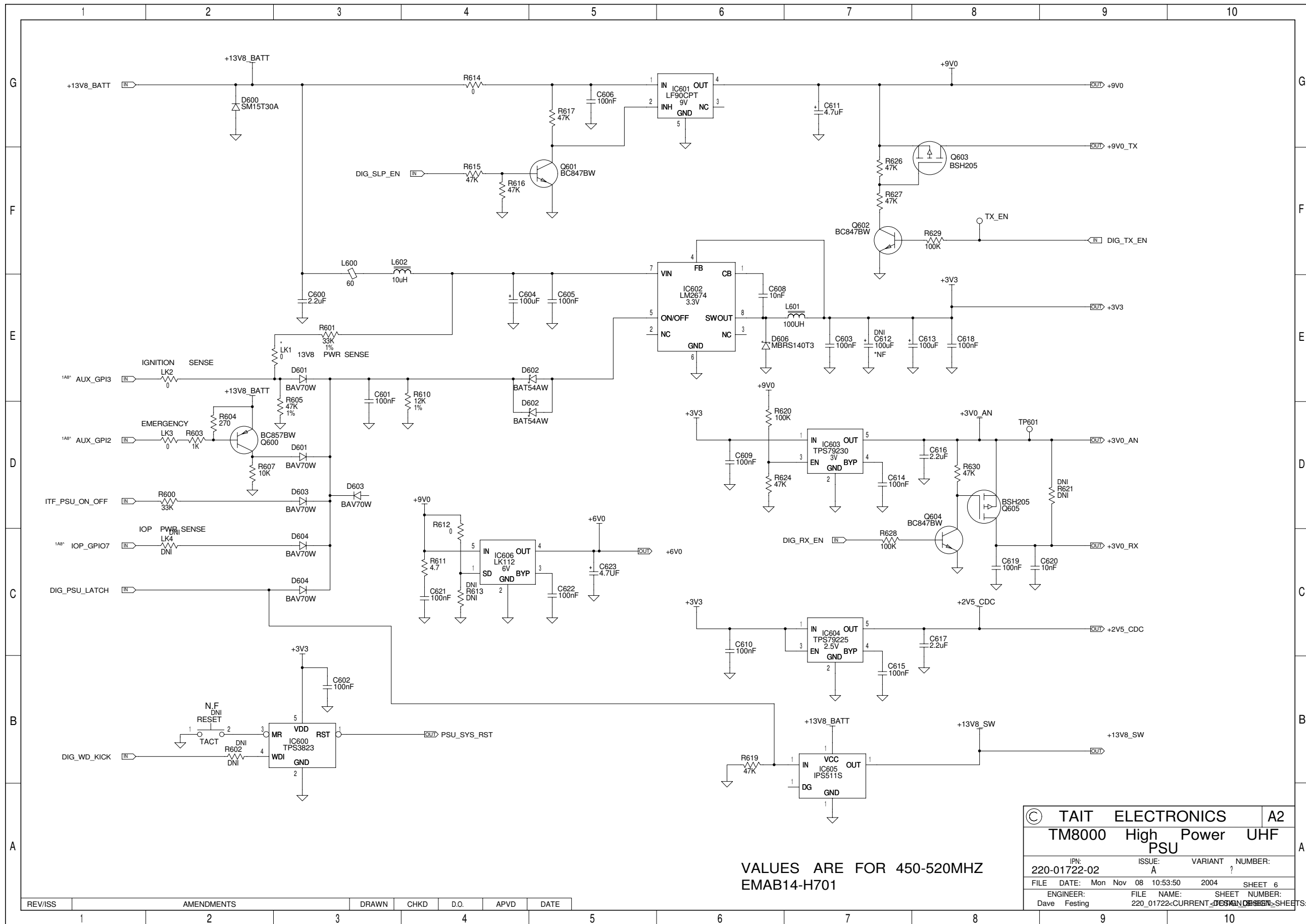




© TAIT ELECTRONICS		A1
TM8000 High Power UHF RECEIVER		
IPN: 220-01722-02	ISSUE: A	VARIANT NUMBER: ?
FILE DATE: Mon Nov 08 10:51:53 2004	SHEET 4	
ENGINEER: Dave Festing	FILE NAME: 220_01722-CURRENT_SHEETS	SHEET NUMBER: 4



CR-6 : @220\_01722\_LIB\220\_01722(SCH\_1)\PAGE1\_AA17@220\_01722\_LIB.PSU(SCH\_1)\PAGE1



VALUES ARE FOR 450-520MHZ  
EMAB14-H701

© TAIT ELECTRONICS		A2
TM8000 High Power UHF PSU		
IPN: 220-01722-02	ISSUE: A	VARIANT NUMBER: ?
FILE DATE: Mon Nov 08 10:53:50 2004	SHEET 6	
ENGINEER: Dave Festing	FILE NAME: 220_01722-CURRENT-DESIGN-PCB	SHEET NUMBER: 6

REV/ISS	AMENDMENTS	DRAWN	CHKD	D.O.	APVD	DATE
1						

